



SY7070/SY7070A

0.7V Minimum Input, Fixed Output 100mA Maximum Output Current Synchronous Boost

General Description

SY7070/A is a high efficiency, synchronous, current hysteresis control; step-up boost converter designed for single-cell or dual-cell alkaline, NiMH, or NiCd battery-powered applications. It can convert down to 0.7V input voltage. It adopts NMOS for the main switch and PMOS for the synchronous switch.

Ordering Information

SY7070 □(□□)□
 □ Temperature Code
 □ Package Code
 □ Optional Spec Code

| Ordering Number | Package type | Note |
|-----------------|--------------|----------------|
| SY7070AAC | SOT23-5 | $V_{OUT}=3.3V$ |
| SY7070AAAC | SOT23-5 | $V_{OUT}=3.0V$ |

Features

- 0.7V Minimum input voltage
- 5.5uA typical quiescent current
- Input under-voltage lockout
- Bypass function during shutdown
- Low $R_{DS(ON)}$ (main switch/synchronous switch) at output: 0.5/0.7ohm
- Fixed output voltage
 - SY7070: fixed 3.3V
 - SY7070A: fixed 3.0V
- Typical 350mA peak current limit
- Compact SOT23-5 package.

Applications

- Battery powered applications
- Consumer and portable medical products
- Personal care products
- Smartphones
- White or status LEDs

Typical Applications

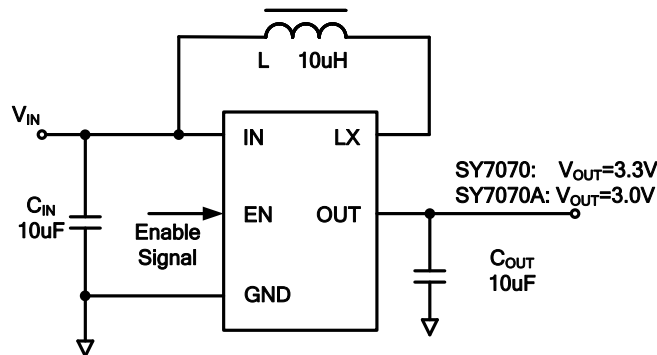
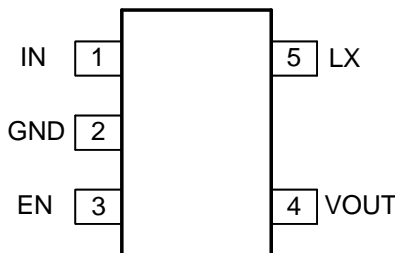


Figure 1. Schematic Diagram

Pinout (top view)



(SOT23-5)

Top mark: SY7070: **RQxyz** (Device code: RQ, *x=year code*, *y=week code*, *z=lot number code*)

SY7070A: **TYxyz** (Device code: TY, *x=year code*, *y=week code*, *z=lot number code*)

| Name | Number | Description |
|------|--------|--|
| IN | 1 | Input pin. Decouple this pin to GND pin with 10uF ceramic cap. |
| GND | 2 | Ground pin. |
| VOUT | 4 | Output pin. Decouple this pin to GND pin with a minimum of 10uF ceramic cap. SY7070, fixed 3.3V; SY7070A, fixed 3.0V. |
| LX | 5 | Inductor node. Connect an inductor between IN pin and LX pin. |
| EN | 3 | Enable pin. Pull it high to turn on or pull it low to shut down the part. Do not leave it floating. |

Absolute Maximum Ratings (Note 1)

| | |
|---|----------------|
| All Pins to GND | 6V |
| Power Dissipation, P_D @ $T_A = 25^\circ\text{C}$ SOT23-5 | 0.6W |
| Package Thermal Resistance (Note 2) | |
| θ_{JA} | 161°C/W |
| θ_{JC} | 130°C/W |
| Junction Temperature Range | 150°C |
| Lead Temperature (Soldering, 10 sec.) | 260°C |
| Storage Temperature Range | -65°C to 150°C |

Recommended Operating Conditions (Note 3)

| | |
|----------------------------|----------------------|
| IN | 0.7V to 5.0V |
| EN | 0V to $V_{OUT}+0.3V$ |
| All other pins | 0-5.0V |
| Junction Temperature Range | -40°C to 125°C |
| Ambient Temperature Range | -40°C to 85°C |



SY7070/SY7070A

Electrical Characteristics

($V_{IN}=1.2V$, $V_{OUT}=3.3V$, $I_{OUT}=10mA$, $T_A=25^{\circ}C$ unless otherwise specified)

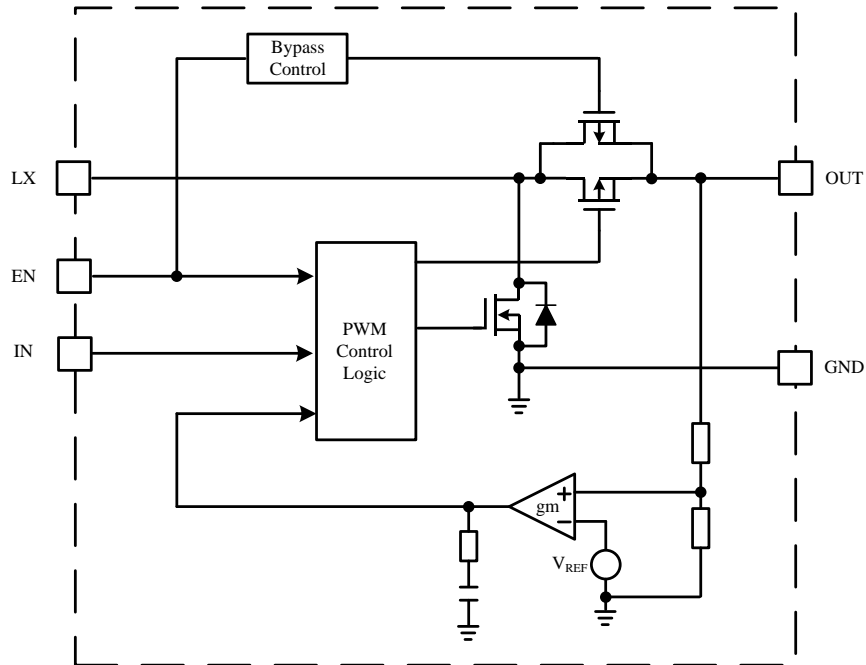
| Parameter | Symbol | Test Conditions | Min | Typ | Max | Unit |
|---|---------------|---|----------------------|------|---------------------|-------------|
| Input Voltage | V_{IN} | | 0.7 | | 5.0 | V |
| Minimum V_{IN} at start-up | V_{START} | | | 0.75 | | V |
| Quiescent Current | V_{IN} | $I_O=0mA, V_{EN}=V_{IN}=1.2V, V_{OUT}=3.4V$ | | 0.5 | | μA |
| | V_{OUT} | | | 5.5 | | |
| Shut Down Current | I_{SHDN} | $V_{EN}=0V, V_{IN}=3.0V$ | | | 1 | μA |
| EN Rising Threshold | V_{ENH} | $V_{IN} \leq 1.6$ | $0.75 \times V_{IN}$ | | | V |
| | | $1.6 < V_{IN} < 5.0$ | 1.2 | | | V |
| EN Falling Threshold | V_{ENL} | $V_{IN} \leq 1.6$ | | | $0.2 \times V_{IN}$ | V |
| | | $1.6 < V_{IN} < 5.0$ | | | 0.32 | V |
| Low Side Main FET R_{ON} | $R_{DS(ON)1}$ | $V_{OUT}=3.3V$ | | 0.5 | | Ω |
| Synchronous FET R_{ON} | $R_{DS(ON)2}$ | $V_{OUT}=3.3V$ | | 0.7 | | Ω |
| Main FET Current Limit | I_{LIM} | | 300 | 350 | | mA |
| Output Voltage | V_{OUT} | SY7070 | 3.201 | 3.3 | 3.399 | V |
| | | SY7070A | 2.901 | 3.0 | 3.099 | V |
| Thermal Shutdown Temperature | T_{SD} | | | 150 | | $^{\circ}C$ |
| Thermal Shutdown Hysteresis | T_{HYS} | | | 20 | | $^{\circ}C$ |
| Under Voltage Lockout For Turn Off Protection | V_{UVLO} | V_{IN} decreasing | | 0.6 | | V |

Note 1: Stresses beyond the “Absolute Maximum Ratings” may cause permanent damage to the device. These are stress ratings only. Functional operation of the device at these or any other conditions beyond those indicated in the operational sections of the specification is not implied. Exposure to absolute maximum rating conditions for extended periods may affect device reliability.

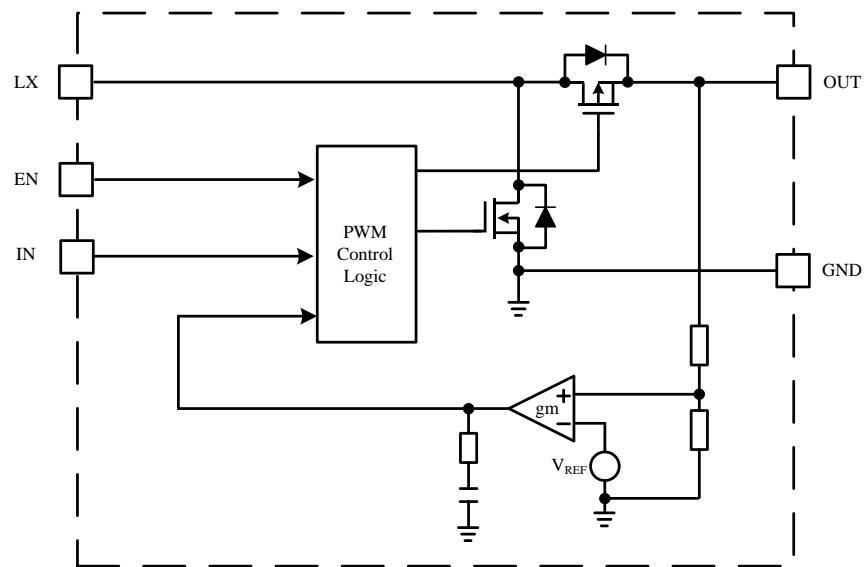
Note 2: θ_{JA} is measured in the natural convection at $T_A=25^{\circ}C$ on a low effective single layer thermal conductivity test board of JEDEC 51-3 thermal measurement standard. Test condition: Device mounted on 2” x 2” FR-4 substrate PCB, 2oz copper, with minimum recommended pad on top layer and thermal vias to bottom layer ground plane.

Note 3: The device is not guaranteed to function outside its operating conditions.

Function Block

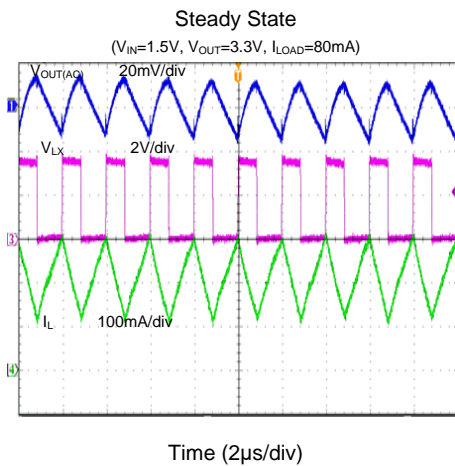
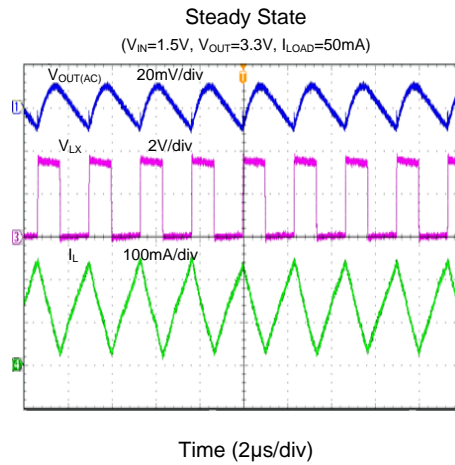
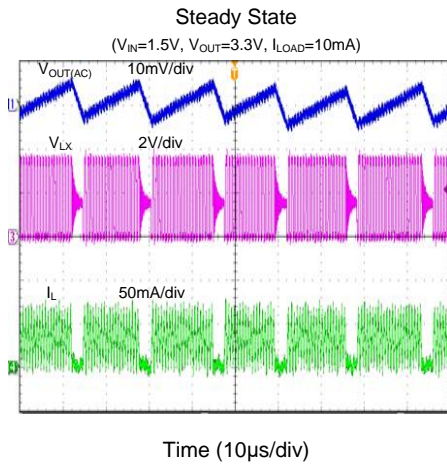
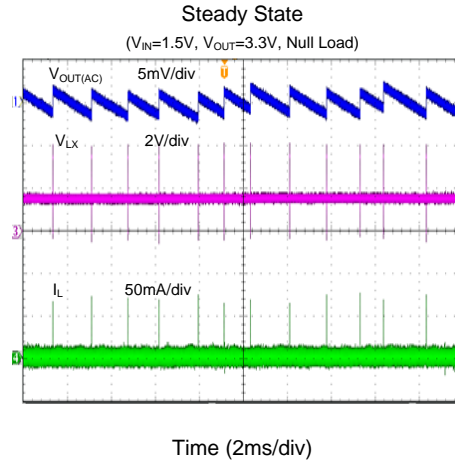
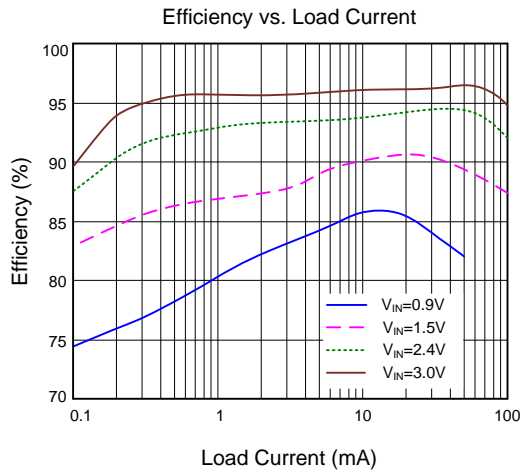


(SY7070)



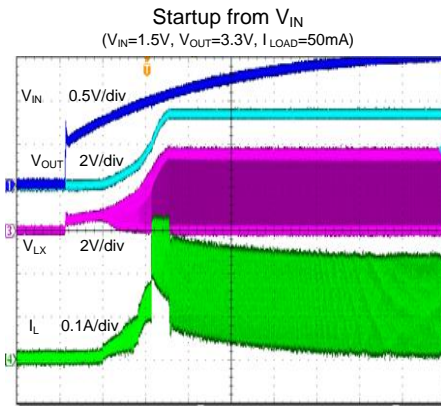
(SY7070A)

Typical Performance Characteristics (for SY7070)

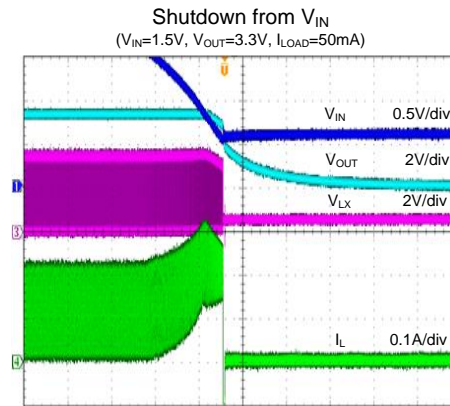




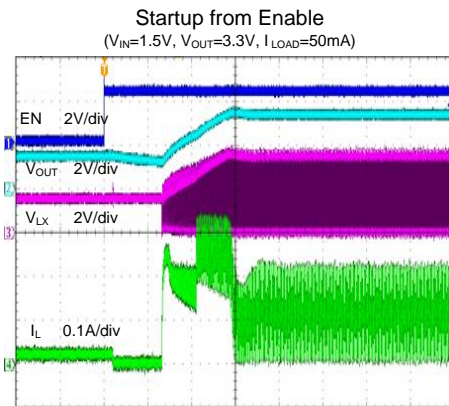
SY7070/SY7070A



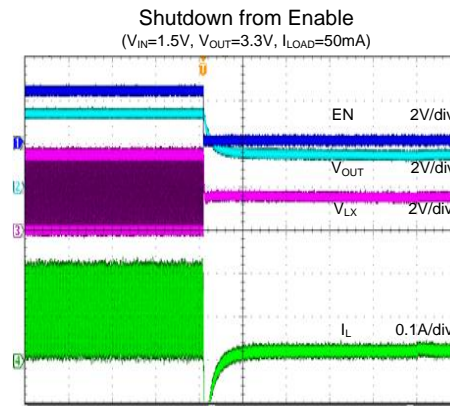
Time (800 μ s/div)



Time (800 μ s/div)



Time (100 μ s/div)



Time (200 μ s/div)



Applications Information

SY7070/A is a high efficiency, low input voltage, step-up synchronous boost converter designed for single-cell or dual-cell alkaline, NiMH, or NiCd battery-powered applications. It adopts NMOS for the main switch and PMOS for the synchronous switch.

Input capacitor C_{IN}:

To minimize the potential noise problem, place a typical X5R or better grade ceramic capacitor really close to the IN and GND pins. Care should be taken to minimize the loop area formed by C_{IN}, and IN/GND pins. In this case, a 10uF low ESR ceramic capacitor is recommended to improve transient behavior of the regulator and EMI behavior of the total power supply circuit.

Output capacitor C_{OUT}:

The output capacitor is selected to handle the output ripple noise requirements. Both steady state ripple and transient requirements must be taken into consideration when selecting this capacitor. For the best performance, it is recommended to use X5R or better grade ceramic capacitor with 6.3V rating and greater than 10uF capacitance.

Inductor L:

A proper inductor must be connected between Pin VIN and Pin LX for the SY7070/A stable operation. 4.7uH inductor value is strongly recommended.

Choosing inductance values will affect the switching frequency f proportional to $1/L$ as show in below equation:

$$L = \frac{1}{f \times 200mA} \times \frac{V_{IN} \times (V_{OUT} - V_{IN})}{V_{OUT}}$$

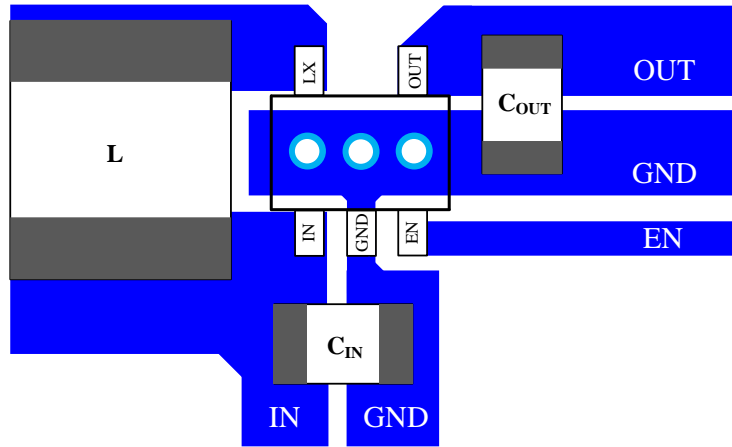
Bypass switch:

SY7070 internal integrates a Bypass Switch in parallel with the synchronous rectifying PMOS. When the IC is enabled, the Bypass Switch will be turned off to allow the IC to work as a standard boost regulator. When the IC is disabled, the Bypass Switch will be turned on to provide a direct, low impedance connection from the input voltage to the load. The Bypass Switch is not impacted by under-voltage lockout, overvoltage or thermal shutdown.

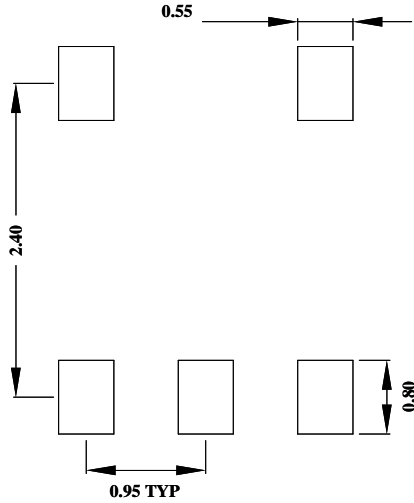
Recommended PCB Layout:

For the best efficiency and minimum noise problems, we should place the following components close to the IC: C_{IN}, C_{OUT}, L.

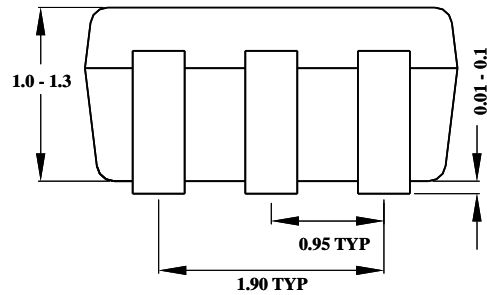
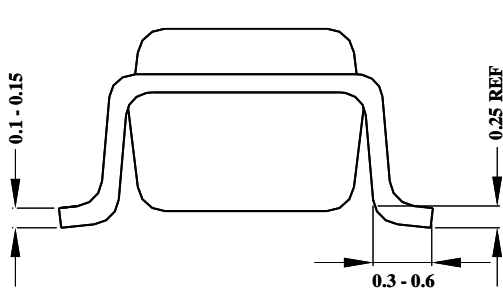
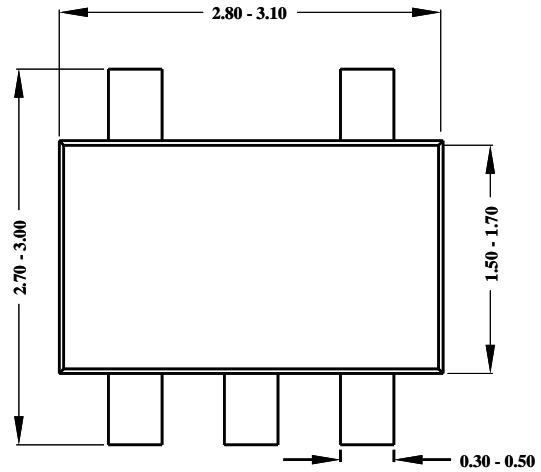
- 1) It is desirable to maximize the PCB copper area connecting to GND pin to achieve the best thermal and noise performance. If the board space allowed, a ground plane is highly desirable.
- 2) C_{OUT} must be close to Pins OUT and GND. The loop area formed by C_{OUT} and GND must be minimized.
- 3) The PCB copper area associated with LX pin must be minimized to avoid the potential noise problem.



SOT23-5 Package outline & PCB layout design



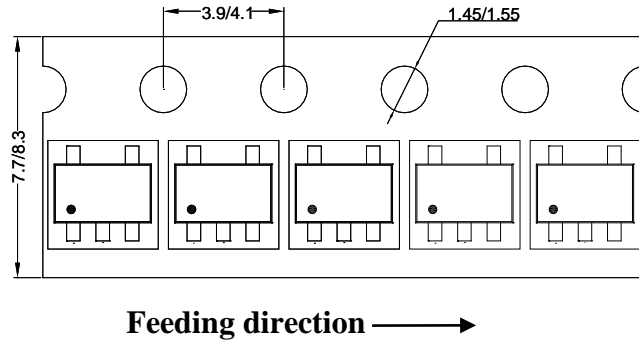
Recommended Pad Layout



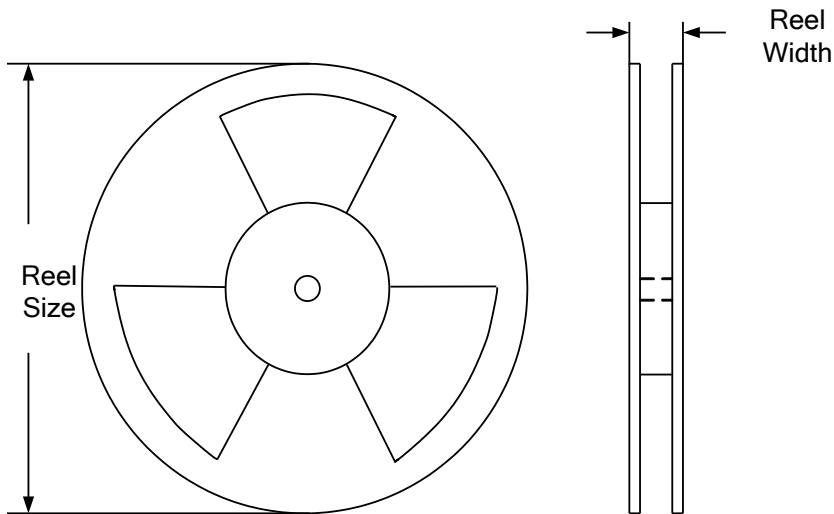
**Notes: All dimensions are in millimeters.
All dimensions don't include mold flash & metal burr.**

Taping & Reel Specification

1. SOT23-5 taping orientation



2. Carrier Tape & Reel specification for packages



| Package types | Tape width (mm) | Pocket pitch(mm) | Reel size (Inch) | Reel width(mm) | Trailer length(mm) | Leader length (mm) | Qty per reel |
|---------------|-----------------|------------------|------------------|----------------|--------------------|--------------------|--------------|
| SOT23-5 | 8 | 4 | 7" | 8.4 | 280 | 160 | 3000 |

3. Others: NA



IMPORTANT NOTICE

- 1. Right to make changes.** Silergy and its subsidiaries (hereafter Silergy) reserve the right to change any information published in this document, including but not limited to circuitry, specification and/or product design, manufacturing or descriptions, at any time and without notice. This document supersedes and replaces all information supplied prior to the publication hereof. Buyers should obtain the latest relevant information before placing orders and should verify that such information is current and complete. All semiconductor products are sold subject to Silergy's standard terms and conditions of sale.
- 2. Applications.** Application examples that are described herein for any of these products are for illustrative purposes only. Silergy makes no representation or warranty that such applications will be suitable for the specified use without further testing or modification. Buyers are responsible for the design and operation of their applications and products using Silergy products. Silergy or its subsidiaries assume no liability for any application assistance or designs of customer products. It is customer's sole responsibility to determine whether the Silergy product is suitable and fit for the customer's applications and products planned. To minimize the risks associated with customer's products and applications, customer should provide adequate design and operating safeguards. Customer represents and agrees that it has all the necessary expertise to create and implement safeguards which anticipate dangerous consequences of failures, monitor failures and their consequences, lessen the likelihood of failures that might cause harm and take appropriate remedial actions. Silergy assumes no liability related to any default, damage, costs or problem in the customer's applications or products, or the application or use by customer's third-party buyers. Customer will fully indemnify Silergy, its subsidiaries, and their representatives against any damages arising out of the use of any Silergy components in safety-critical applications. It is also buyers' sole responsibility to warrant and guarantee that any intellectual property rights of a third party are not infringed upon when integrating Silergy products into any application. Silergy assumes no responsibility for any said applications or for any use of any circuitry other than circuitry entirely embodied in a Silergy product.
- 3. Limited warranty and liability.** Information furnished by Silergy in this document is believed to be accurate and reliable. However, Silergy makes no representation or warranty, expressed or implied, as to the accuracy or completeness of such information and shall have no liability for the consequences of use of such information. In no event shall Silergy be liable for any indirect, incidental, punitive, special or consequential damages, including but not limited to lost profits, lost savings, business interruption, costs related to the removal or replacement of any products or rework charges, whether or not such damages are based on tort or negligence, warranty, breach of contract or any other legal theory. Notwithstanding any damages that customer might incur for any reason whatsoever, Silergy' aggregate and cumulative liability towards customer for the products described herein shall be limited in accordance with the Standard Terms and Conditions of Sale of Silergy.
- 4. Suitability for use.** Customer acknowledges and agrees that it is solely responsible for compliance with all legal, regulatory and safety-related requirements concerning its products, and any use of Silergy components in its applications, notwithstanding any applications-related information or support that may be provided by Silergy. Silergy products are not designed, authorized or warranted to be suitable for use in life support, life-critical or safety-critical systems or equipment, nor in applications where failure or malfunction of an Silergy product can reasonably be expected to result in personal injury, death or severe property or environmental damage. Silergy assumes no liability for inclusion and/or use of Silergy products in such equipment or applications and therefore such inclusion and/or use is at the customer's own risk.
- 5. Terms and conditions of commercial sale.** Silergy products are sold subject to the standard terms and conditions of commercial sale, as published at <http://www.silergy.com/stdterms>, unless otherwise agreed in a valid written individual agreement specifically agreed to in writing by an authorized officer of Silergy. In case an individual agreement is concluded only the terms and conditions of the respective agreement shall apply. Silergy hereby expressly objects to and denies the application of any customer's general terms and conditions with regard to the purchase of Silergy products by the customer.
- 6. No offer to sell or license.** Nothing in this document may be interpreted or construed as an offer to sell products that is open for acceptance or the grant, conveyance or implication of any license under any copyrights, patents or other industrial or intellectual property rights. Silergy makes no representation or warranty that any license, either express or implied, is granted under any patent right, copyright, mask work right, or other intellectual property right. Information published by Silergy regarding third-party products or services does not constitute a license to use such products or services or a warranty or endorsement thereof. Use of such information may require a license from a third party under the patents or other intellectual property of the third party, or a license from Silergy under the patents or other intellectual property of Silergy.

For more information, please visit: www.silergy.com

© 2018 Silergy Corp.

All Rights Reserved.