

### General Description

The SY7208C is a high efficiency boost regulator targeted for general step-up applications.

### Ordering Information

SY7208□(□□)□  
 └─ Temperature Code  
 └─ Package Code  
 └─ Optional Spec Code

Ordering Number	Package type	Note
SY7208CABC	SOT23-6	----

### Features

- Wide Input Range: 3-25V Bias Input, 25V<sub>OUT,MAX</sub>
- 1MHz Switching Frequency
- Minimum On Time: 100ns Typical
- Minimum Off Time: 100ns Typical
- Low R<sub>DS(ON)</sub>: 150mΩ
- RoHS Compliant and Halogen Free
- Accurate Reference: 0.6V<sub>REF</sub>
- Compact Package: SOT23-6

### Applications

- WLED Drivers
- Networking Cards Powered from PCI or PCI-Express Slots

### Typical Applications

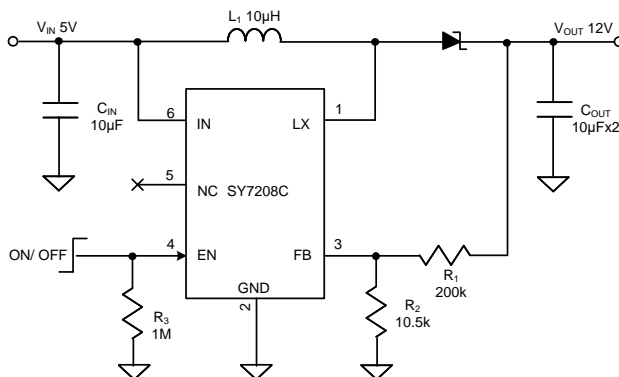


Figure1. Schematic Diagram

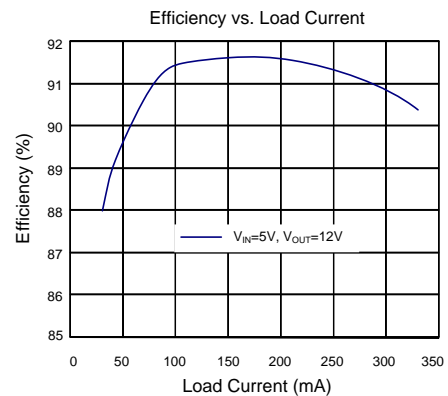
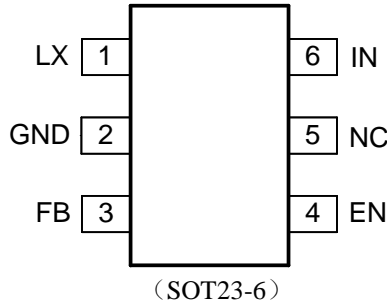


Figure2. Efficiency vs. Load Current

**Pinout (top view)**



**Top Mark: JUxyz** (Device code: JU, x=year code, y=week code, z= lot number code)

Pin Name	Pin Number	Pin Description
IN	6	Input pin. Decouple this pin to GND pin with a 1μF ceramic cap.
GND	2	Ground pin
LX	1	Inductor node. Connect an inductor between the IN pin and the LX pin.
FB	3	Feedback pin. Connect a resistor R1 between V <sub>OUT</sub> and FB, and a resistor R2 between FB and GND to program the output voltage: V <sub>OUT</sub> =0.6V×(R1/R2+1).
EN	4	Enable control. High to turn on the part. Don't leave it floating.
NC	5	No connection.

**Absolute Maximum Ratings** (Note 1)

LX, IN, EN Voltage-----	-0.3V to 26V
FB Voltage-----	-0.3V to 3.6V
Dynamic LX Voltage in 50ns Duration -----	-3V to 30V
Dynamic LX Voltage in 500ns Duration -----	-1V to 28V
Power Dissipation, Pd @ TA = 25°C SOT23-6 -----	0.6W
Package Thermal Resistance (Note 2)	
θ <sub>JA</sub> -----	161°C/W
θ <sub>JC</sub> -----	130°C/W
Junction Temperature Range -----	125°C
Lead Temperature (Soldering, 10 sec.) -----	260°C
Storage Temperature Range -----	-65°C to 150°C

**Recommended Operating Conditions** (Note 3)

Input Voltage Supply-----	3V to 25V
Junction Temperature Range -----	-40°C to 125°C
Ambient Temperature Range -----	-40°C to 85°C

## Electrical Characteristics

( $V_{IN} = 5V$ ,  $V_{OUT} = 12V$ ,  $I_{OUT} = 100mA$ ,  $T_A = 25^\circ C$ , unless otherwise specified)

Parameter	Symbol	Test Conditions	Min	Typ	Max	Unit
Input Voltage Range	$V_{IN}$		3		25	V
Quiescent Current	$I_Q$	$V_{FB} = 0.66V$		100		$\mu A$
Shutdown Current	$I_{SHDN}$	EN=0		1	5	$\mu A$
Low Side Main FET RON	$R_{DS(ON)}$			150		m $\Omega$
Main FET Current Limit	$I_{LIM1}$		600			mA
Switching Frequency	f <sub>SW</sub>		0.8	1	1.2	MHz
Feedback Reference Voltage	$V_{REF}$		0.588	0.6	0.612	V
IN UVLO Rising Threshold	$V_{IN,UVLO}$				2.3	V
UVLO Hysteresis	$U_{VLO,HYS}$			0.1		V
Thermal Shutdown Temperature	$T_{SD}$			150		$^\circ C$
EN Rising Threshold	$V_{ENH}$		2			V
EN Falling Threshold	$V_{ENL}$				0.4	V
EN Pin Input Current	$I_{EN}$		0		100	nA

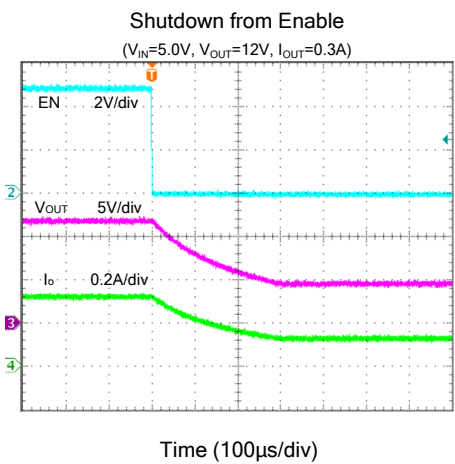
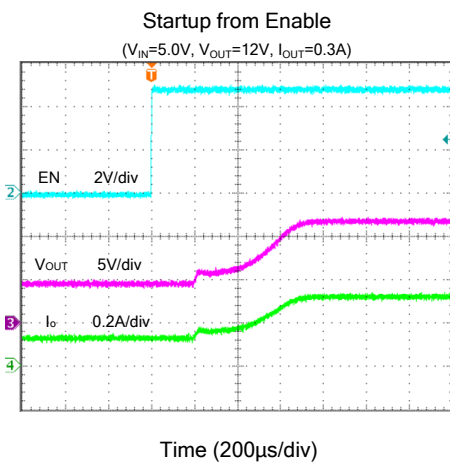
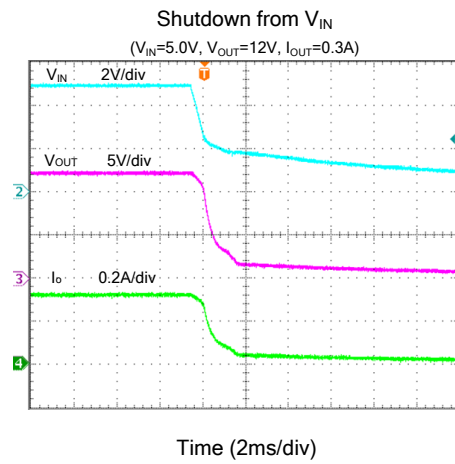
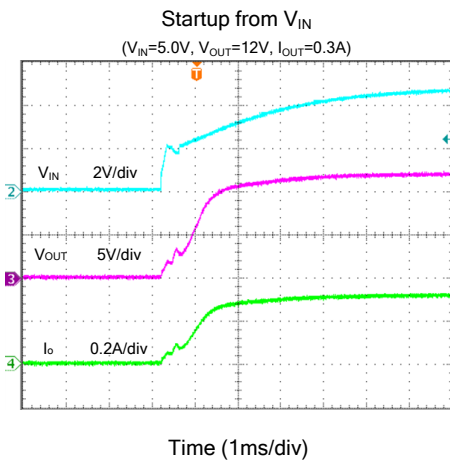
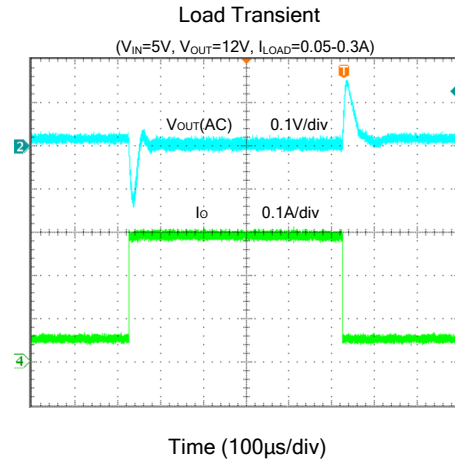
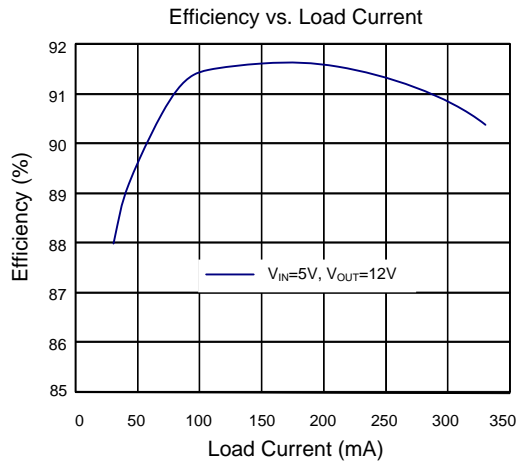
**Note 1:** Stresses beyond “Absolute Maximum Ratings” may cause permanent damage to the device. These are for stress ratings. Functional operation of the device at these or any other conditions beyond those indicated in the operational sections of the specifications is not implied. Exposure to absolute maximum rating conditions may affect device reliability.

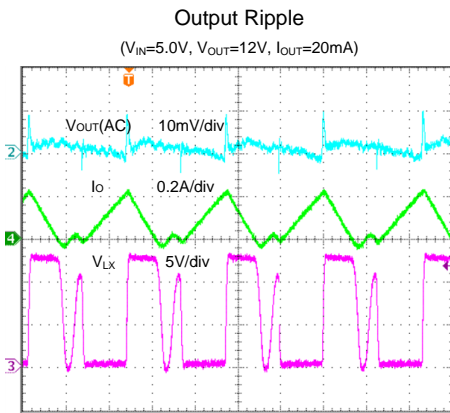
**Note 2:**  $\theta_{JA}$  is measured in the natural convection at  $T_A = 25^\circ C$  on a low effective single layer thermal conductivity test board of JEDEC 51-3 thermal measurement standard. Test condition: Device mounted on 2” x 2” FR-4 substrate PCB, 2oz copper, with minimum recommended pad on top layer and thermal vias to bottom layer ground plane.

**Note 3:** The device is not guaranteed to function outside its operating conditions.

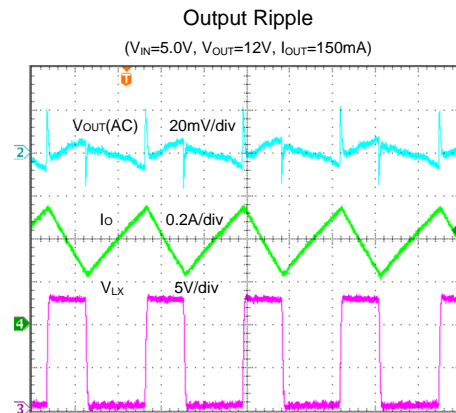
**Note 4:** The IC could be start up in 2.7V.

## Typical Performance Characteristics

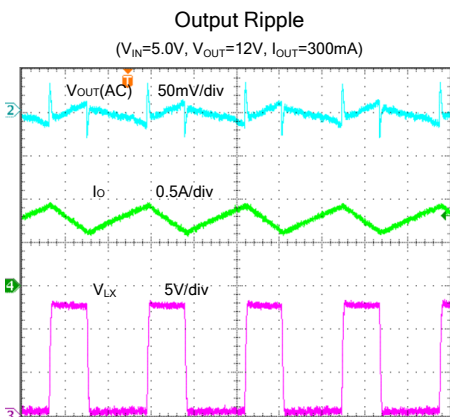




Time (400ns/div)



Time (400ns/div)



Time (400ns/div)

## Applications Information

Because of the high integration in the SY7208C, the application circuit based on this regulator is rather simple. Only the input capacitor  $C_{IN}$ , the output capacitor  $C_{OUT}$ , the inductor  $L$  and the feedback resistors ( $R_1$  and  $R_2$ ) need to be selected for the targeted applications specifications.

### Feedback Resistor Dividers $R_1$ and $R_2$ :

Choose  $R_1$  and  $R_2$  to program the proper output voltage. To minimize the power consumption under light loads, it is desirable to choose large resistance values for both  $R_1$  and  $R_2$ . A value of between 10k and 1M is recommended for both resistors. If  $R_2=120k$  is chosen, then  $R_1$  can be calculated to be:

$$R_1 = \frac{(V_{OUT} - 0.6V) \times R_2}{0.6V}$$

### Input Capacitor $C_{IN}$ :

The ripple current through input capacitor is calculated as:

$$I_{CIN\_RMS} = \frac{V_{IN} \times (V_{OUT} - V_{IN})}{2\sqrt{3} \times L \times f_{SW} \times V_{OUT}}$$

To minimize the potential noise problem, place a typical X7R or better grade ceramic capacitor really close to the IN and GND pins. Care should be taken to minimize the loop area formed by  $C_{IN}$ , and IN/GND pins.

### Output Capacitor $C_{OUT}$ :

The output capacitor is selected to handle the output ripple noise requirements. Both steady state ripple and transient requirements must be taken into consideration when selecting this capacitor. For the best performance, it is recommended to use an X7R or better grade ceramic capacitor with 25V rating and greater than 10 $\mu$ F capacitance.

### Output Inductor $L$ :

There are several considerations in choosing this inductor.

- 1) Choose the inductance to provide the desired ripple current. It is suggested to choose the ripple current to be about 40% of the average input current. The inductance is calculated as:

$$L = \left( \frac{V_{IN}}{V_{OUT}} \right)^2 \frac{(V_{OUT} - V_{IN})}{f_{SW} \times I_{OUT,MAX} \times 40\%}$$

Where  $f_{SW}$  is the switching frequency and  $I_{OUT,MAX}$  is the maximum load current.

The SY7208C is quite tolerant of different ripple current amplitude. Consequently, the final choice of inductance can be slightly off the calculation value without significantly impacting the performance.

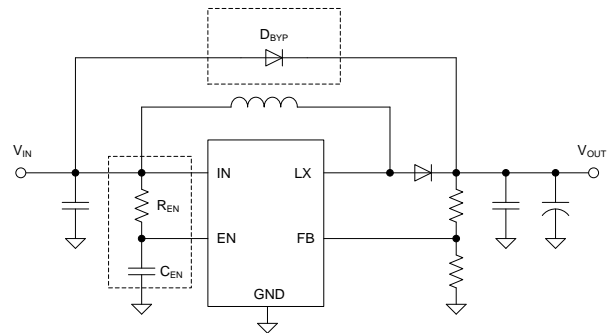
- 2) The saturation current rating of the inductor must be selected to be greater than the peak inductor current under full load conditions.

$$I_{SAT,MIN} > \left( \frac{V_{OUT}}{V_{IN}} \right) \times I_{OUT,MAX} + \frac{V_{IN}(V_{OUT} - V_{IN})}{2 \times f_{SW} \times L \times V_{OUT}}$$

- 3) The DCR of the inductor and the core loss at the switching frequency must be low enough to achieve the desired efficiency requirement. It is desirable to choose an inductor with  $DCR < 50m\Omega$  to achieve a good overall efficiency.

### Applications with Large Bulk Capacitance

In applications with large bulk capacitance on the output, a very high inrush current can be seen flow through the inductor during power on. To avoid this inrush current flow into the IC and cause any unexpected damage, a Zener diode connected from power input to the output or an RC delay circuit added on EN pin of the IC can be used. Refer to the circuit below.



### Layout Design:

The layout design of SY7208C regulator is relatively simple. For the best efficiency and minimum noise problems, we should place the following components close to the IC:  $C_{IN}$ ,  $L$ ,  $R_1$  and  $R_2$ .

- 1) It is desirable to maximize the PCB copper area connecting to GND pin to achieve the best thermal and noise performance. If the board space allowed, a ground plane is highly desirable.
- 2)  $C_{IN}$  must be close to Pins IN and GND. The loop area formed by  $C_{IN}$  and GND must be minimized.
- 3) The PCB copper area associated with LX pin must be minimized to avoid the potential noise problem.



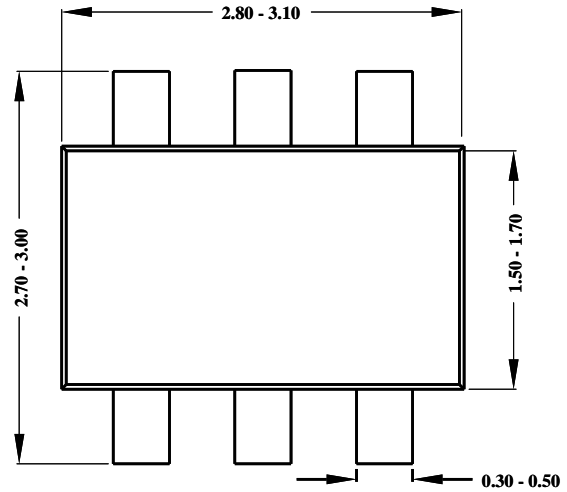
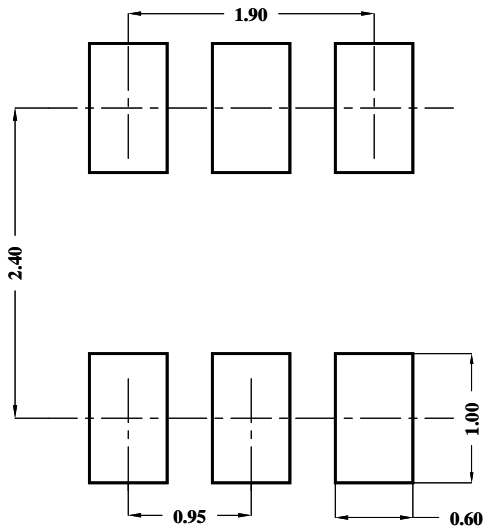
**SILERGY**

## **SY7208C**

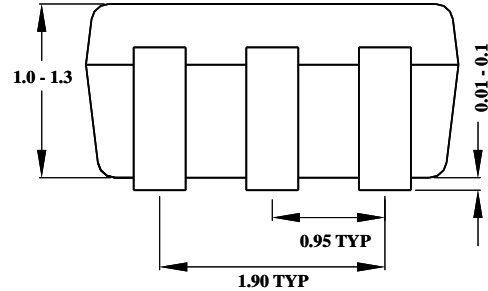
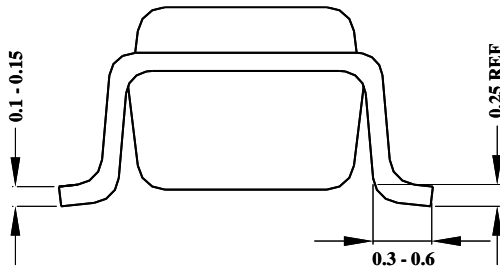
- 4) The components  $R_1$  and  $R_2$ , and the trace connecting to the FB pin must NOT be adjacent to the LX net on the PCB layout to avoid the noise problem.
- 5) If the system chip interfacing with the EN pin has a high impedance state at shutdown mode and the

IN pin is connected directly to a power source such as a Li-Ion battery, it is desirable to add a pull down 1Mohm resistor between the EN and GND pins to prevent the noise from falsely turning on the regulator at shutdown mode.

**SOT23-6 Package Outline & PCB Layout Design**



**Recommended Pad Layout**



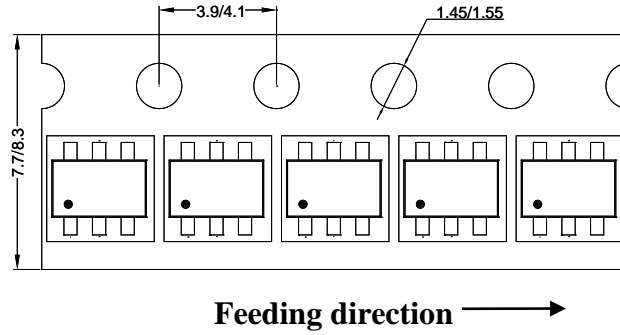
**Notes: All dimensions are in millimeters.  
All dimensions don't include mold flash & metal burr.**



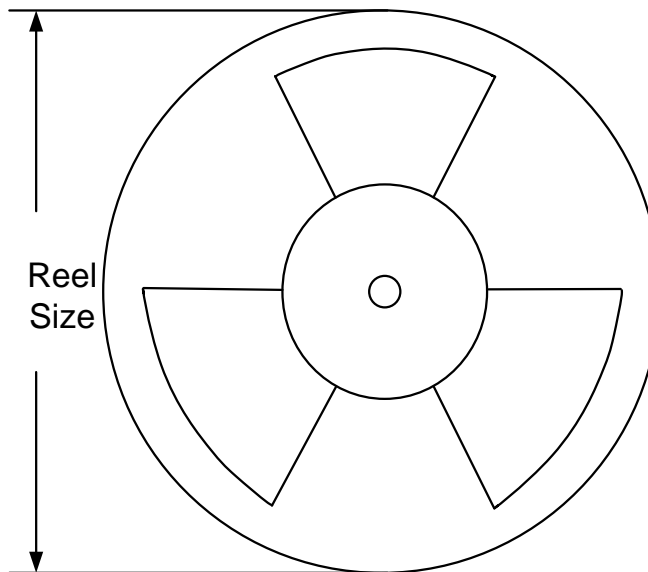
## Taping & Reel Specification

### 1. Taping orientation

SOT23-6



### 2. Carrier Tape & Reel specification for packages



Package types	Tape width (mm)	Pocket pitch(mm)	Reel size (Inch)	Reel width(mm)	Trailer length(mm)	Leader length (mm)	Qty per reel
SOT23-6	8	4	7"	8.4	280	160	3000

### 3. Others: NA

**IMPORTANT NOTICE**

1. **Right to make changes.** Silergy and its subsidiaries (hereafter Silergy) reserve the right to change any information published in this document, including but not limited to circuitry, specification and/or product design, manufacturing or descriptions, at any time and without notice. This document supersedes and replaces all information supplied prior to the publication hereof. Buyers should obtain the latest relevant information before placing orders and should verify that such information is current and complete. All semiconductor products are sold subject to Silergy's standard terms and conditions of sale.
2. **Applications.** Application examples that are described herein for any of these products are for illustrative purposes only. Silergy makes no representation or warranty that such applications will be suitable for the specified use without further testing or modification. Buyers are responsible for the design and operation of their applications and products using Silergy products. Silergy or its subsidiaries assume no liability for any application assistance or designs of customer products. It is customer's sole responsibility to determine whether the Silergy product is suitable and fit for the customer's applications and products planned. To minimize the risks associated with customer's products and applications, customer should provide adequate design and operating safeguards. Customer represents and agrees that it has all the necessary expertise to create and implement safeguards which anticipate dangerous consequences of failures, monitor failures and their consequences, lessen the likelihood of failures that might cause harm and take appropriate remedial actions. Silergy assumes no liability related to any default, damage, costs or problem in the customer's applications or products, or the application or use by customer's third-party buyers. Customer will fully indemnify Silergy, its subsidiaries, and their representatives against any damages arising out of the use of any Silergy components in safety-critical applications. It is also buyers' sole responsibility to warrant and guarantee that any intellectual property rights of a third party are not infringed upon when integrating Silergy products into any application. Silergy assumes no responsibility for any said applications or for any use of any circuitry other than circuitry entirely embodied in a Silergy product.
3. **Limited warranty and liability.** Information furnished by Silergy in this document is believed to be accurate and reliable. However, Silergy makes no representation or warranty, expressed or implied, as to the accuracy or completeness of such information and shall have no liability for the consequences of use of such information. In no event shall Silergy be liable for any indirect, incidental, punitive, special or consequential damages, including but not limited to lost profits, lost savings, business interruption, costs related to the removal or replacement of any products or rework charges, whether or not such damages are based on tort or negligence, warranty, breach of contract or any other legal theory. Notwithstanding any damages that customer might incur for any reason whatsoever, Silergy' aggregate and cumulative liability towards customer for the products described herein shall be limited in accordance with the Standard Terms and Conditions of Sale of Silergy.
4. **Suitability for use.** Customer acknowledges and agrees that it is solely responsible for compliance with all legal, regulatory and safety-related requirements concerning its products, and any use of Silergy components in its applications, notwithstanding any applications-related information or support that may be provided by Silergy. Silergy products are not designed, authorized or warranted to be suitable for use in life support, life-critical or safety-critical systems or equipment, nor in applications where failure or malfunction of an Silergy product can reasonably be expected to result in personal injury, death or severe property or environmental damage. Silergy assumes no liability for inclusion and/or use of Silergy products in such equipment or applications and therefore such inclusion and/or use is at the customer's own risk.
5. **Terms and conditions of commercial sale.** Silergy products are sold subject to the standard terms and conditions of commercial sale, as published at <http://www.silergy.com/stdterms>, unless otherwise agreed in a valid written individual agreement specifically agreed to in writing by an authorized officer of Silergy. In case an individual agreement is concluded only the terms and conditions of the respective agreement shall apply. Silergy hereby expressly objects to and denies the application of any customer's general terms and conditions with regard to the purchase of Silergy products by the customer.
6. **No offer to sell or license.** Nothing in this document may be interpreted or construed as an offer to sell products that is open for acceptance or the grant, conveyance or implication of any license under any copyrights, patents or other industrial or intellectual property rights. Silergy makes no representation or warranty that any license, either express or implied, is granted under any patent right, copyright, mask work right, or other intellectual property right. Information published by Silergy regarding third-party products or services does not constitute a license to use such products or services or a warranty or endorsement thereof. Use of such information may require a license from a third party under the patents or other intellectual property of the third party, or a license from Silergy under the patents or other intellectual property of Silergy.

For more information, please visit: [www.silergy.com](http://www.silergy.com)

© 2022 Silergy Corp.

**All Rights Reserved.**