

Features

- Transient protection for high-speed data lines
IEC 61000-4-2 (ESD) $\pm 30\text{kV}$ (Air)
 $\pm 30\text{kV}$ (Contact)
IEC 61000-4-5 (Lightning) 20A (8/20 μs)
Cable Discharge Event (CDE)
- Package optimized for high-speed lines
- Small package (2.9mm \times 2.8mm \times 1.4mm)
- Protects four data lines
- Low capacitance: 3.5pF Typical @ 0V
- Low leakage current: 0.1 μA @ V_{RWM} (Typical)
- Low clamping voltage
- Each I/O pin can withstand over 1000 ESD strikes for $\pm 8\text{kV}$ contact discharge

Description

SYT06L05ABC is a low-capacitance Transient Voltage Suppressor (TVS) designed to provide electrostatic discharge (ESD) protection for high-speed data interfaces. With typical capacitance of 3.5pF only, SYT06L05ABC is designed to protect parasitic-sensitive systems against over-voltage and over-current transient events. It complies with IEC 61000-4-2 (ESD) ($\pm 30\text{kV}$ air, $\pm 30\text{kV}$ contact discharge), IEC 61000-4-5 (Lightning) (20A, 8/20 μs), etc.

SYT06L05ABC uses small SOT23-6L package. Each SYT06L05ABC device can protect four high-speed data lines. The combined features of low capacitance, small size and high ESD robustness make SYT06L05ABC ideal for high-speed data ports and high-frequency lines (e.g., USB2.0) applications. The low clamping voltage of the SYT06L05ABC guarantees a minimum stress on the protected IC.

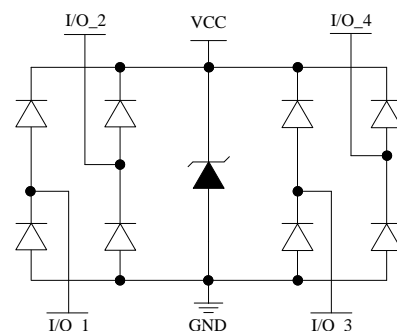
Applications

- USB2.0 Power and Data Line Protection
- Digital Visual Interfaces (DVI)
- 10/100/1000M Ethernet Interfaces
- Desktops, Servers and Notebooks
- SIM Ports
- Monitors and Flat Panel Displays
- Video Graphics Cards

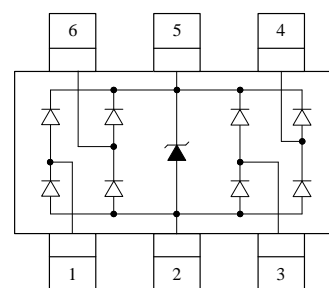
Mechanical Characteristics

- SOT23-6L package
- MSL-3 level
- Flammability Rating: UL 94V-0
- Marking: Part number, Date
- Packaging: Tape and Reel

Circuit Diagram



Pin Configuration



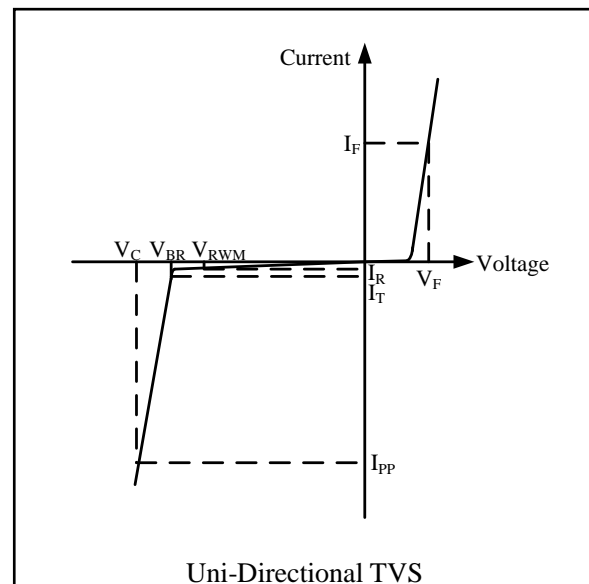
SOT23-6L
(Top View)

Absolute Maximum Rating

Symbol	Parameter	Value	Units
I_{PP}	Peak Pulse Current (8/20 μ s)	20	A
P_{PK}	Peak Pulse Power (8/20 μ s)	350	Watts
V_{ESD}	ESD per IEC 61000-4-2 (Air) ESD per IEC 61000-4-2 (Contact)	± 30 ± 30	kV
T_{OPT}	Operating Temperature	-55/+125	$^{\circ}$ C
T_{STG}	Storage Temperature	-55/+150	$^{\circ}$ C

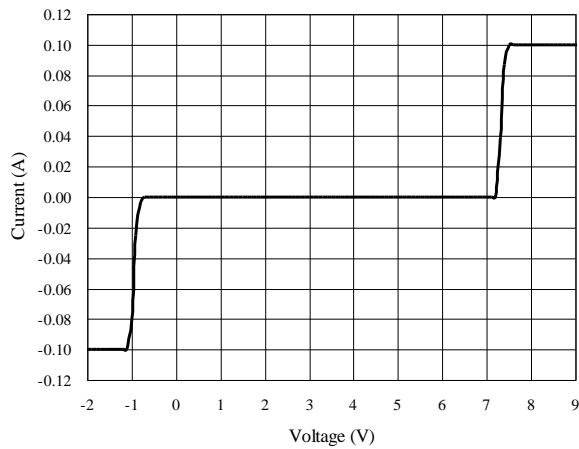
Electrical Characteristics (T = 25 $^{\circ}$ C)

Symbol	Parameter
V_{RWM}	Nominal Reverse Working Voltage
I_R	Reverse Leakage Current @ V_{RWM}
V_{BR}	Reverse Breakdown Voltage @ I_T
I_T	Test Current for Reverse Breakdown
V_C	Clamping Voltage @ I_{PP}
I_{PP}	Maximum Peak Pulse Current
C_{ESD}	Parasitic Capacitance
V_R	Reverse Voltage
f	Small Signal Frequency
I_F	Forward Current
V_F	Forward Voltage @ I_F

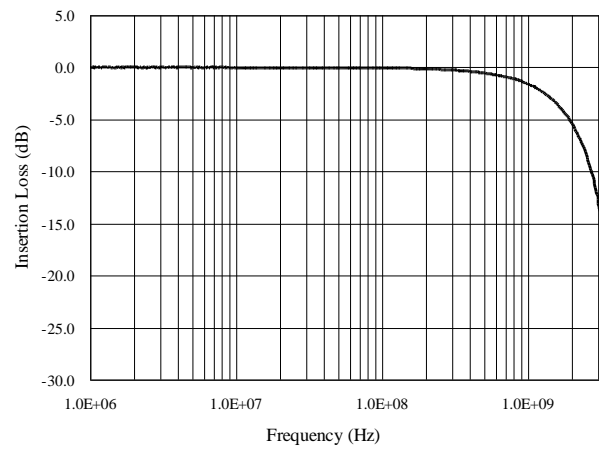


Symbol	Test Condition	Minimum	Typical	Maximum	Units
V_{RWM}				5.0	V
I_R	$V_{RWM} = 5V, T = 25^{\circ}C$ Between I/O and GND		0.1	1.0	μ A
V_{BR}	$I_T = 1mA$ Between I/O and GND	6.0			V
V_C	$I_{PP} = 20A, t_p = 8/20\mu s$ Between I/O and GND		15	17	V
V_C	$I_{PP} = 16A, t_p = 10/100ns$ Between I/O and GND		9.5	11.5	V
R_{DYN}	$t_p = 10/100ns$ Between I/O and GND		0.15		Ω
C_{ESD}	$V_R = 0V, f = 1MHz$ Between I/O and GND		3.5	5.0	pF
C_{ESD}	$V_R = 0V, f = 1MHz$ Between I/O and I/O		1.5	2.5	pF

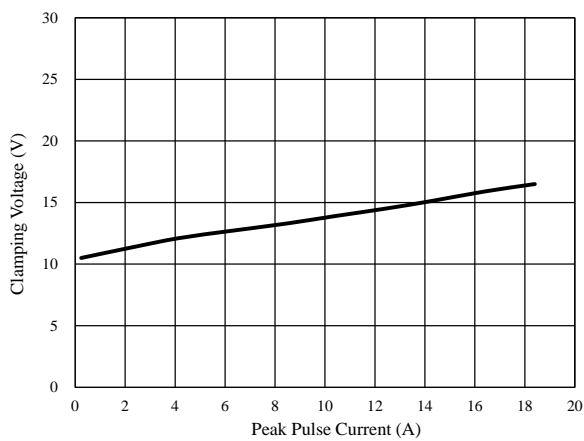
Voltage Sweeping of I/O to GND



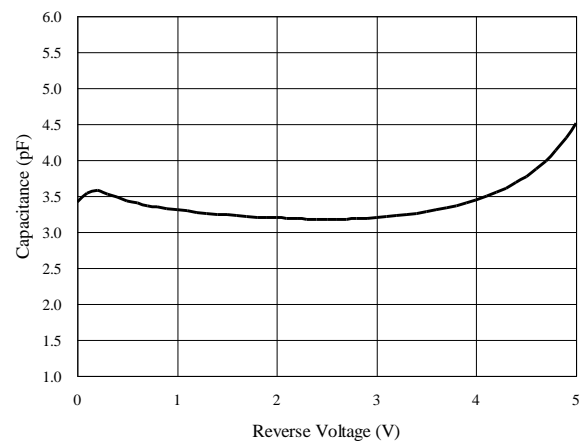
Insertion Loss S21 of I/O to GND



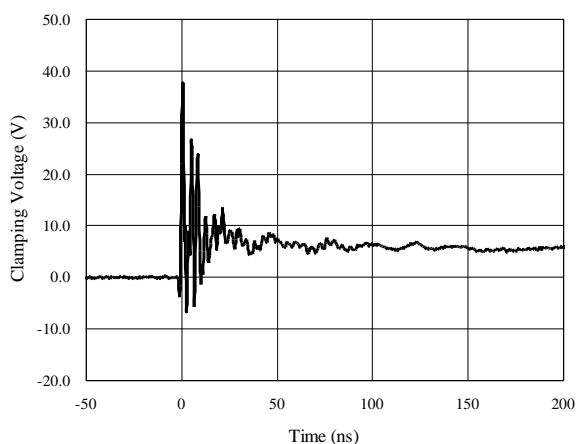
Clamping Voltage vs. Peak Pulse Current



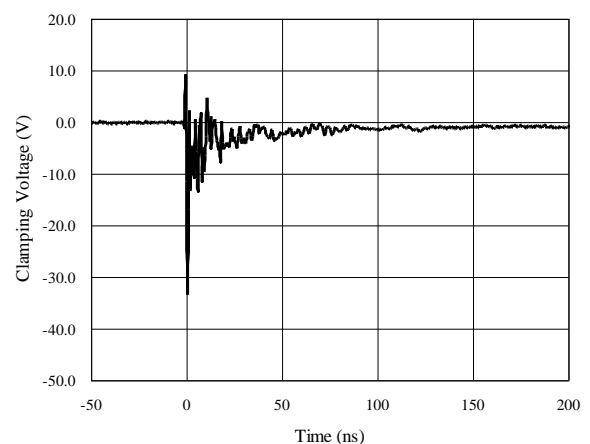
Capacitance vs. Reverse Voltage



ESD Clamping of I/O to GND (+8kV Contact per IEC 61000-4-2)



ESD Clamping of I/O to GND (-8kV Contact per IEC 61000-4-2)



Application Information

Pin Connection in PCB

SYT06L05ABC is capable to provide ESD protection for four data lines simultaneously. The pin connection is shown in Figure 1.

Four parallel data lines, from inner IC to I/O port connector, could connect to SYT06L05ABC four I/O pins directly. Pin 2 of SYT06L05ABC is the negative reference pin, which should connect to the GND of PCB; while Pin 5 of SYT06L05ABC is the positive reference pin, which should connect to the power supply of PCB. The connection wires should be as short as possible in order to minimize the parasitic inductance.

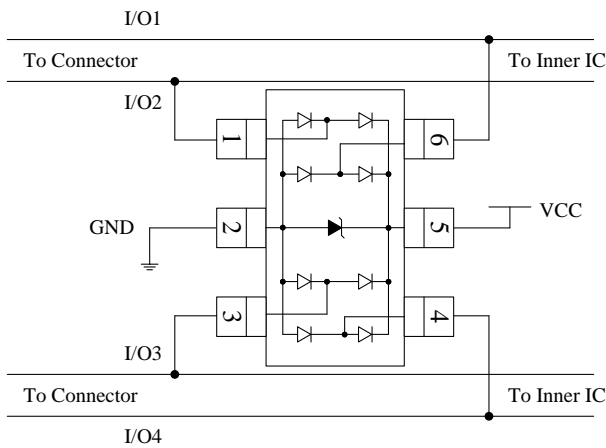


Figure 1 SYT06L05ABC pin connection in PCB

Clamping Voltage Optimization

SYT06L05ABC could use its power clamping circuit to limit the TVS clamping voltage (V_C) to a suitable value during positive and negative mode ESD stress. Taking positive mode as example shown in Figure 2, if there is no power clamping circuit in SYT06L05ABC, the I_{ESD1} will be the ESD shunting current from I/O to VCC via D1 and L_p . The clamping voltage V_C at I/O port will be:

$$V_C = V_{F,D1} + L_p \frac{dI_{ESD1}}{dt} + V_{CC} \quad (1)$$

where $V_{F,D1}$ is the forward turn-on voltage of the steering diode D1, L_p is the parasitic inductance in the ESD current shunting path.

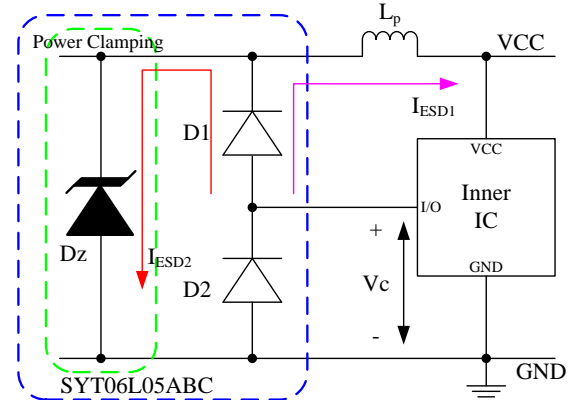


Figure 2 Positive ESD Clamping Voltage Optimization

As we all know, the ESD pulse could discharge huge current in a very short time, from 0.2ns to 10 ns. Thus, the V_C will exceed the inner circuit capability. However, if with the power clamping circuit in SYT06L05ABC, the ESD shunting current will be I_{ESD2} , which leading to the clamping voltage V_C as:

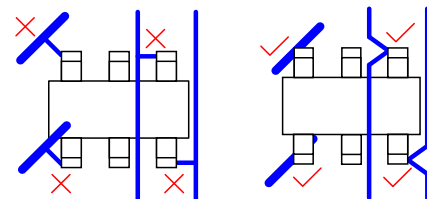
$$V_C = V_{F,D1} + V_{BR,Dz} + V_{CC} \quad (2)$$

Where $V_{BR,Dz}$ is the reverse breakdown voltage of diode Dz , which is much smaller than the induced clamping voltage by parasitic inductance L_p in (1)

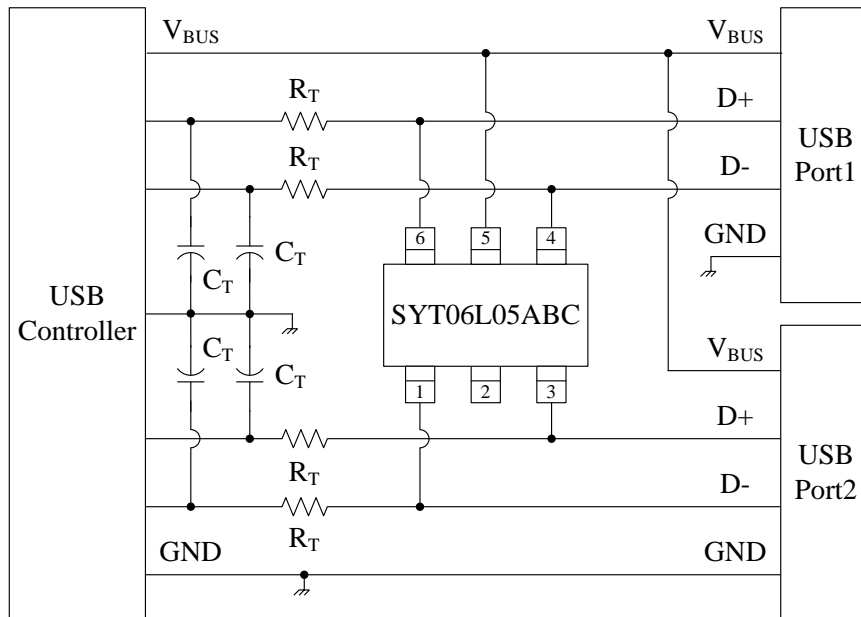
PCB Layout Guidelines

For optimum ESD protection and the whole circuit performance, the following PCB layout guidelines are recommended:

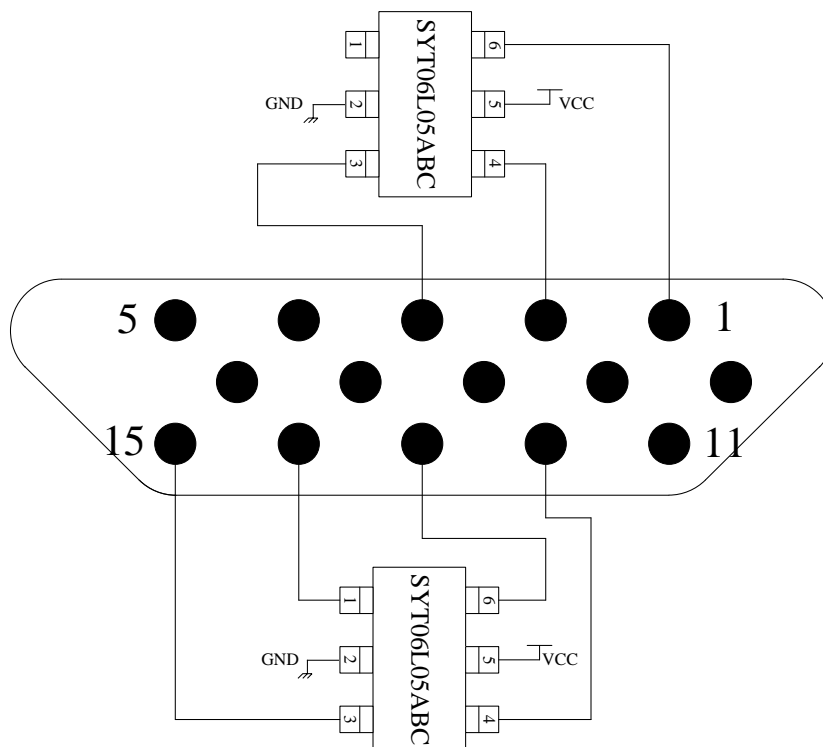
- SYT06L05ABC GND pin to the PCB GND rail path should be as short as possible. It could reduce the ESD transient return path to GND.
- The vias connecting SYT06L05ABC VCC & GND pins to the PCB VCC & GND should be wide.
- Place SYT06L05ABC as close to the connector port as possible. It could reduce the parasitic inductance and restrict ESD coupling into adjacent traces.
- Avoid running critical signals near board edges.



Application Information (continued)

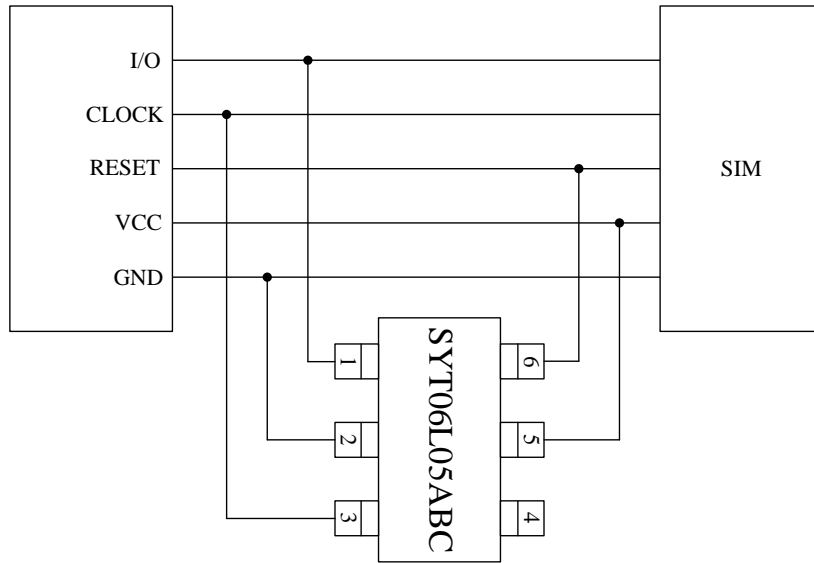


Layout Top View for Dual USB Ports with SYT06L05ABC

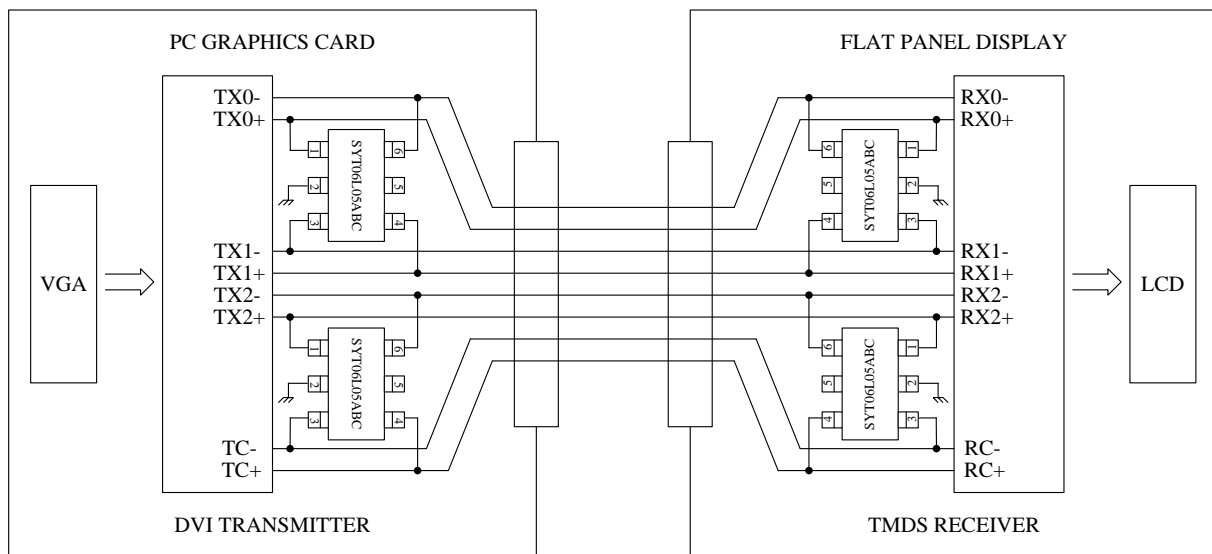


Layout Top View for Video (VGA) Interface with SYT06L05ABC

Application Information (continued)

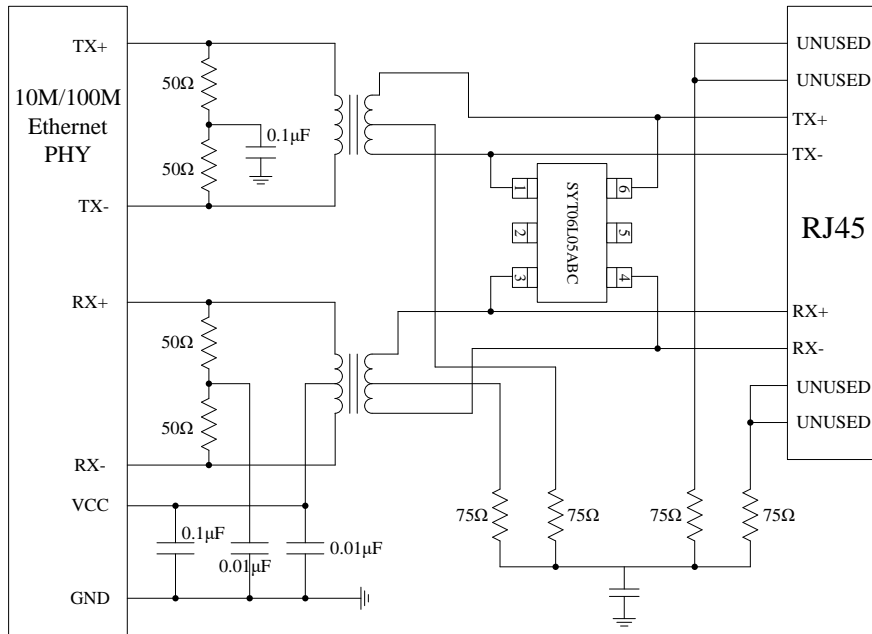


Layout Top View for SIM Port with SYT06L05ABC

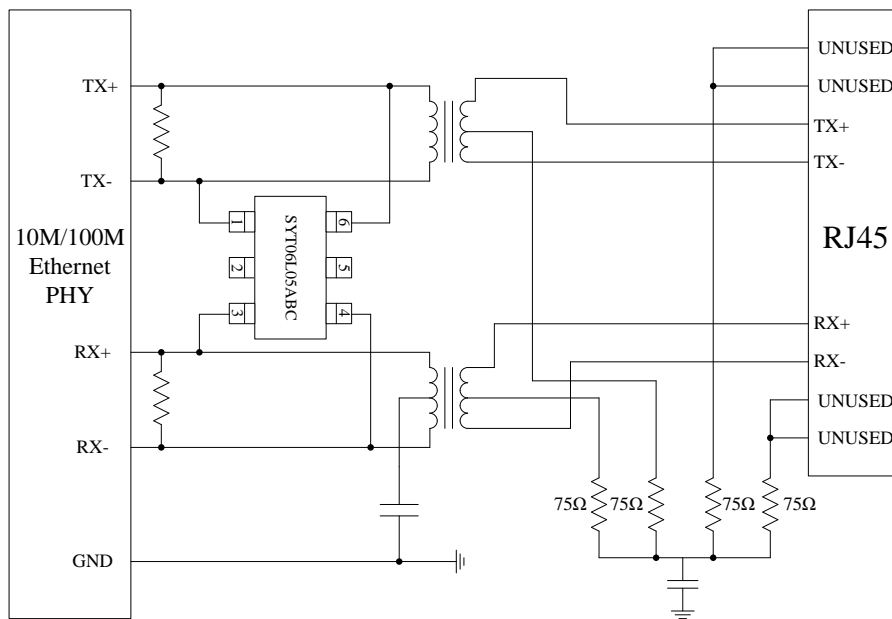


Layout Top View for Digital Visual Interface (DVI) with SYT06L05ABC

Application Information (continued)



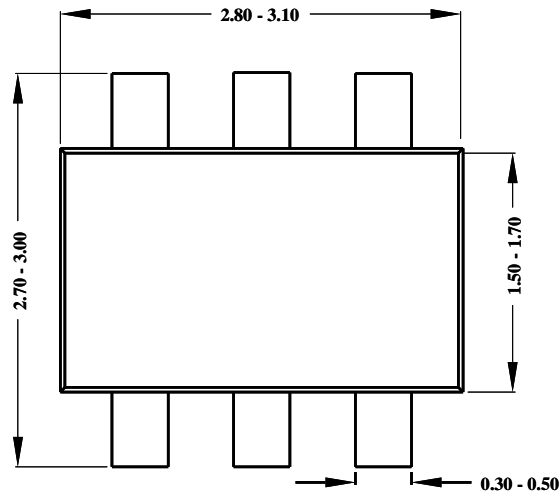
Differential Protection for 10M/100M Ethernet Interface with SYT06L05ABC



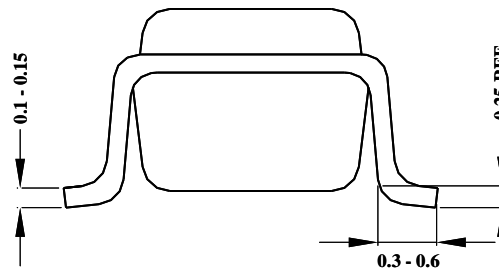
Differential and Common Mode Protection for 10M/100M Ethernet Interface with SYT06L05ABC

Package Outline

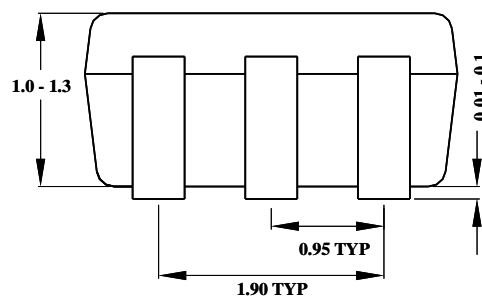
- SOT23-6L package
- MSL-3 level



TOP VIEW



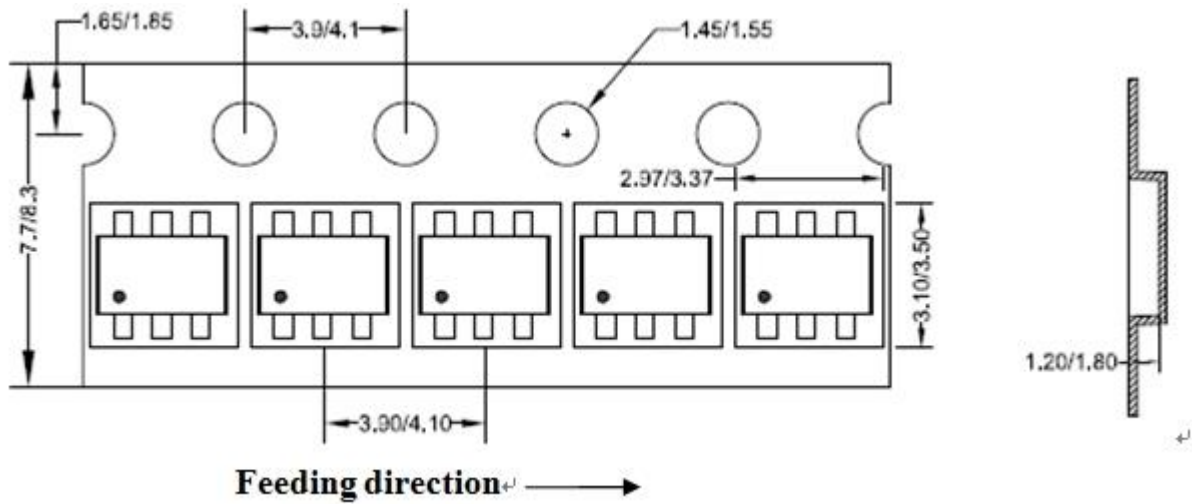
SIDE VIEW



SIDE VIEW

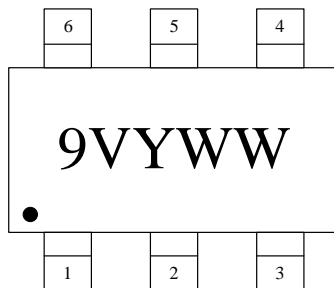
Notes: All dimension in millimeter and exclude mold flash & metal burr.

Tape and Reel Specification



Package types	Tape width (mm)	Pocket pitch(mm)	Reel size (Inch)	Trailer * length(mm)	Leader * length (mm)	Qty per reel (pcs)
SOT23-6L	8	4	7"	400	400	3000

Marking Codes



Ordering Information

Part Number	Working Voltage	Quantity Per Reel	Reel Size
SYT06L05ABC	5V	3,000	7 Inch

Note:

- (1) "9V" is part number, fixed.
- (2) "YWW" is date code. "Y" is the assembly year (2011 is "1"); while "WW" is the assembly week in a year.

IMPORTANT NOTICE

1. **Right to make changes.** Silergy and its subsidiaries (hereafter Silergy) reserve the right to change any information published in this document, including but not limited to circuitry, specification and/or product design, manufacturing or descriptions, at any time and without notice. This document supersedes and replaces all information supplied prior to the publication hereof. Buyers should obtain the latest relevant information before placing orders and should verify that such information is current and complete. All semiconductor products are sold subject to Silergy's standard terms and conditions of sale.
2. **Applications.** Application examples that are described herein for any of these products are for illustrative purposes only. Silergy makes no representation or warranty that such applications will be suitable for the specified use without further testing or modification. Buyers are responsible for the design and operation of their applications and products using Silergy products. Silergy or its subsidiaries assume no liability for any application assistance or designs of customer products. It is customer's sole responsibility to determine whether the Silergy product is suitable and fit for the customer's applications and products planned. To minimize the risks associated with customer's products and applications, customer should provide adequate design and operating safeguards. Customer represents and agrees that it has all the necessary expertise to create and implement safeguards which anticipate dangerous consequences of failures, monitor failures and their consequences, lessen the likelihood of failures that might cause harm and take appropriate remedial actions. Silergy assumes no liability related to any default, damage, costs or problem in the customer's applications or products, or the application or use by customer's third-party buyers. Customer will fully indemnify Silergy, its subsidiaries, and their representatives against any damages arising out of the use of any Silergy components in safety-critical applications. It is also buyers' sole responsibility to warrant and guarantee that any intellectual property rights of a third party are not infringed upon when integrating Silergy products into any application. Silergy assumes no responsibility for any said applications or for any use of any circuitry other than circuitry entirely embodied in a Silergy product.
3. **Limited warranty and liability.** Information furnished by Silergy in this document is believed to be accurate and reliable. However, Silergy makes no representation or warranty, expressed or implied, as to the accuracy or completeness of such information and shall have no liability for the consequences of use of such information. In no event shall Silergy be liable for any indirect, incidental, punitive, special or consequential damages, including but not limited to lost profits, lost savings, business interruption, costs related to the removal or replacement of any products or rework charges, whether or not such damages are based on tort or negligence, warranty, breach of contract or any other legal theory. Notwithstanding any damages that customer might incur for any reason whatsoever, Silergy' aggregate and cumulative liability towards customer for the products described herein shall be limited in accordance with the Standard Terms and Conditions of Sale of Silergy.
4. **Suitability for use.** Customer acknowledges and agrees that it is solely responsible for compliance with all legal, regulatory and safety-related requirements concerning its products, and any use of Silergy components in its applications, notwithstanding any applications-related information or support that may be provided by Silergy. Silergy products are not designed, authorized or warranted to be suitable for use in life support, life-critical or safety-critical systems or equipment, nor in applications where failure or malfunction of an Silergy product can reasonably be expected to result in personal injury, death or severe property or environmental damage. Silergy assumes no liability for inclusion and/or use of Silergy products in such equipment or applications and therefore such inclusion and/or use is at the customer's own risk.
5. **Terms and conditions of commercial sale.** Silergy products are sold subject to the standard terms and conditions of commercial sale, as published at <http://www.silergy.com/stdterms>, unless otherwise agreed in a valid written individual agreement specifically agreed to in writing by an authorized officer of Silergy. In case an individual agreement is concluded only the terms and conditions of the respective agreement shall apply. Silergy hereby expressly objects to and denies the application of any customer's general terms and conditions with regard to the purchase of Silergy products by the customer.
6. **No offer to sell or license.** Nothing in this document may be interpreted or construed as an offer to sell products that is open for acceptance or the grant, conveyance or implication of any license under any copyrights, patents or other industrial or intellectual property rights. Silergy makes no representation or warranty that any license, either express or implied, is granted under any patent right, copyright, mask work right, or other intellectual property right. Information published by Silergy regarding third-party products or services does not constitute a license to use such products or services or a warranty or endorsement thereof. Use of such information may require a license from a third party under the patents or other intellectual property of the third party, or a license from Silergy under the patents or other intellectual property of Silergy.

For more information, please visit: www.silergy.com

© 2018 Silergy Corp.

All Rights Reserved.