

General Description

The SY2A27357A is an automotive grade, low-dropout voltage regulator for high input voltage and ultra-low quiescent current applications.

The SY2A27357A provides resistor adjustable output voltage and low drop out (300mV at 300mA). It offers protection features including over-current protection, thermal shutdown, and stable operation with low ESR ceramic or tantalum capacitors due to the optimized internal compensation.

The SY2A27357A is available in a compact SO8E package.

Features

- Wide Input Voltage Range: 4V to 36V
- 300mA Maximum Load Current
- Low Dropout Voltage (300mV@300mA)
- Low Quiescent Current (7 μ A typ.)
- Low Shutdown Current (5 μ A max.)
- Stable with Tantalum or Ceramic Capacitors
- Excellent Load and Line Regulation
- Enable Control Input
- Over Current Protection
- Thermal Shutdown
- Compact SO8E Package
- Automotive AEC-Q100 Grade 1 Qualified

Applications

- Battery Powered Applications
- Automotive Applications
- Gateway Applications
- Remote Keyless Entry Systems
- SMPS Post-Regulator/ DC-DC Modules

Typical Application

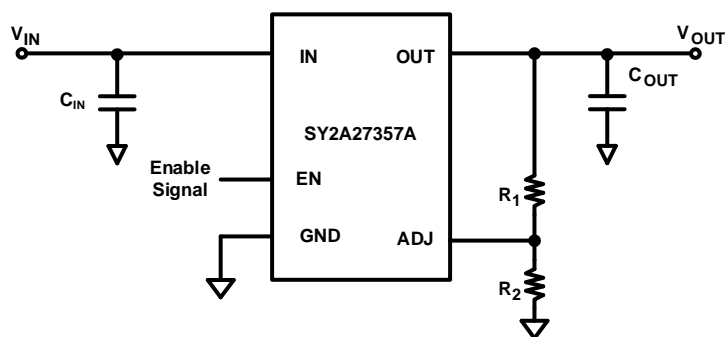


Figure 1. Schematic Diagram

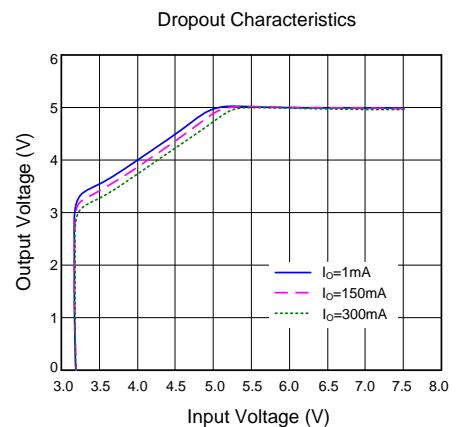


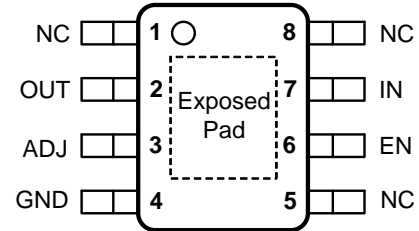
Figure 2. Dropout Characteristics

Ordering Information

| Ordering Part Number | Package Type | Top Mark |
|----------------------|---|---------------|
| SY2A27357AFCA | SO8E RoHS Compliant and Halogen Free | CSZxyz |

x=year code, y=week code, z=lot number code

Pinout (top view)



| Pin Name | Pin Number | Pin Description |
|----------|-------------|--|
| NC | 1, 5, 8 | Not connected. |
| OUT | 2 | Output pin. Bypass this pin to the ground pin with a 2.2μF output capacitor. |
| ADJ | 3 | Output voltage feedback pin. Enables adjusting the output voltage using a resistor voltage divider network. $V_{OUT}=0.6 \times (1+R1/R2)$. |
| GND | 4 | Ground pin. |
| EN | 6 | Enable pin. Pull it low to shut down or pull it high to enable; do not leave floating. |
| IN | 7 | Power supply input. Bypass this pin to the ground pin with a 10μF capacitor. |
| | Exposed Pad | The exposed pad should be connected to the ground plane for improving the thermal performance. |

Block Diagram

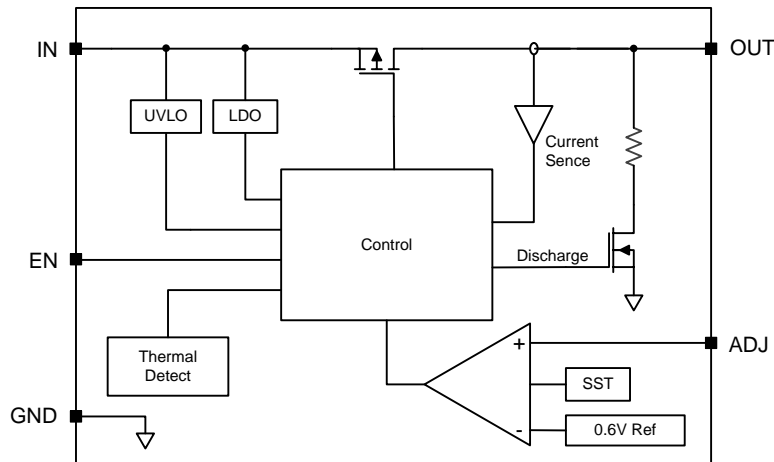


Figure 3. Block Diagram

Absolute Maximum Ratings

| Parameter (Note1) | Min | Max | Unit |
|---------------------------------------|------|---------------------|------|
| IN to GND | -0.3 | 40 | V |
| OUT, EN, ADJ to GND | -0.3 | 0.3+V _{IN} | |
| Lead Temperature (Soldering, 10 sec.) | | 260 | °C |
| Junction Temperature, Operating | -40 | 150 | |
| Storage Temperature | -65 | 150 | |

Thermal Information

| Parameter (Note2) | Typ | Unit |
|---|-----|------|
| θ_{JA} Junction-to-ambient Thermal Resistance | 30 | °C/W |
| θ_{JC} Junction-to-case Thermal Resistance | 20 | |
| P _D Power Dissipation T _A =25°C | 3.3 | W |

Recommended Operating Conditions

| Parameter (Note3) | Min | Max | Unit |
|---------------------|-----|-----|------|
| IN | 4 | 36 | V |
| Ambient Temperature | -40 | 125 | °C |

Electrical Characteristics

(V_{IN}=12V, V_{OUT}=3.3V, V_{EN}=V_{IN}, T_A=-40°C~125°C unless otherwise specified, the values are guaranteed by test design or statistical correlation.)

| Parameter | Symbol | Test Conditions | Min | Typical | Max | Unit |
|---------------------------------|-----------------------------------|---|-----|---------|-----|------|
| Input Voltage | V _{IN} | I _{OUT} =10mA | 4 | | 36 | V |
| Reference Voltage | V _{REF} | | 582 | 600 | 618 | mV |
| Line Regulation | ΔV_{LNR} | V _{IN} =(V _{OUT} +0.3V) to 36V, I _O =10mA | | 1 | 1.5 | mV/V |
| Load Regulation | ΔV_{LDR} | I _O =10mA to 300mA | | 0.25 | 1 | % |
| Dropout Voltage | V _{IN} -V _{OUT} | I _O =10mA | | 10 | 20 | mV |
| | | I _O =150mA | | 150 | 300 | mV |
| | | I _O =300mA | | 300 | 550 | mV |
| Quiescent Current | I _Q | No Load | | 7 | 14 | μA |
| Shutdown Current | I _{SHDN} | V _{EN} =0V, V _{IN} =24V | | | 5 | μA |
| Output Current | I _O | V _{IN} =V _{OUT} +0.6V | 0 | | 300 | mA |
| Output Current Limit | I _{LIM} | V _{IN} =6V, V _{OUT} =0.9×V _{OUT} (normal) | 300 | | 900 | mA |
| Power-supply Rejection Ratio | PSRR | f=1kHz, C _{OUT} =10μF | | 60 | | dB |
| | | f=150kHz, C _{OUT} =10μF | | 30 | | dB |
| Input UVLO Threshold | V _{UVLO} | V _{IN} rising | 2.9 | 3.3 | 4 | V |
| UVLO Hysteresis | V _{UVLO_HYS} | | | 0.1 | | V |
| Shutdown Discharge Resistance | R _{DIS} | | | 600 | | Ω |
| Enable Input Logic-High Voltage | V _{EN_H} | V _{IN} =5V | 1.5 | | | V |
| Enable Input Logic-Low Voltage | V _{EN_L} | V _{IN} =5V | | | 0.4 | V |



SY2A27357A

| Parameter | Symbol | Test Conditions | Min | Typical | Max | Unit |
|---------------------------------------|-----------|-----------------|-----|---------|-----|------|
| Thermal Shutdown Temperature (Note 4) | T_{SD} | | | 150 | | °C |
| Thermal Shutdown Hysteresis (Note 4) | T_{HYS} | | | 20 | | °C |

Note 1: Stresses beyond the “Absolute Maximum Ratings” may cause permanent damage to the device. These are stress ratings only. Functional operation of the device at these or any other conditions beyond those indicated in the operational sections of the specification is not implied. Exposure to absolute maximum rating conditions for extended periods may affect device reliability.

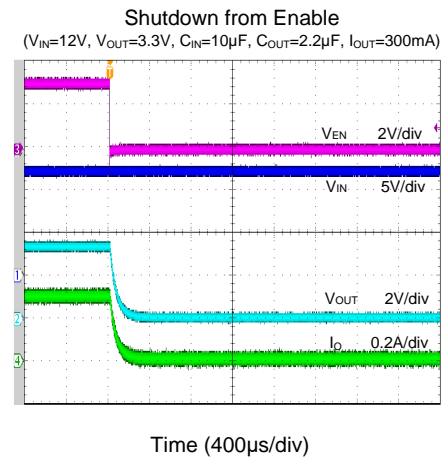
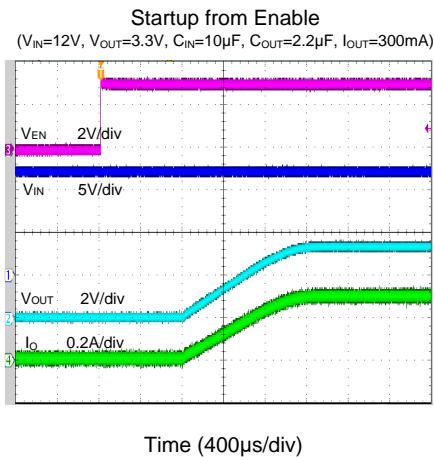
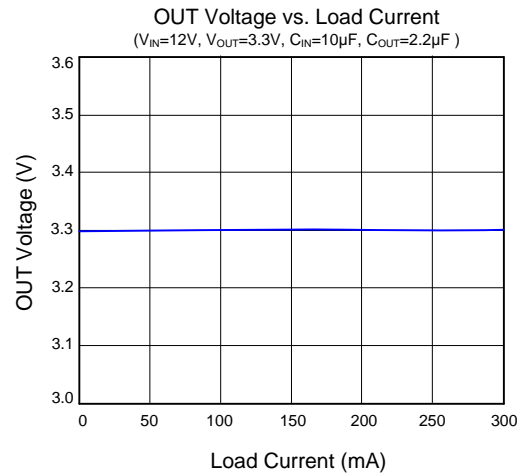
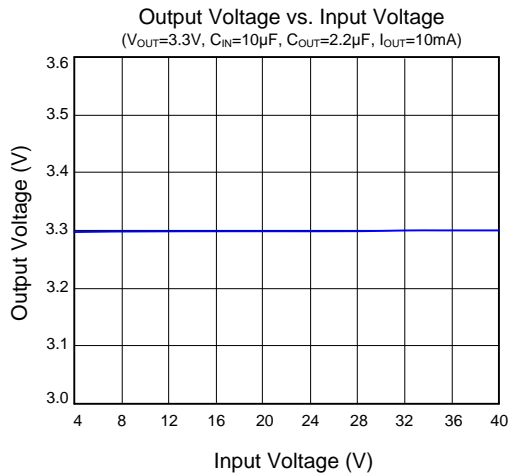
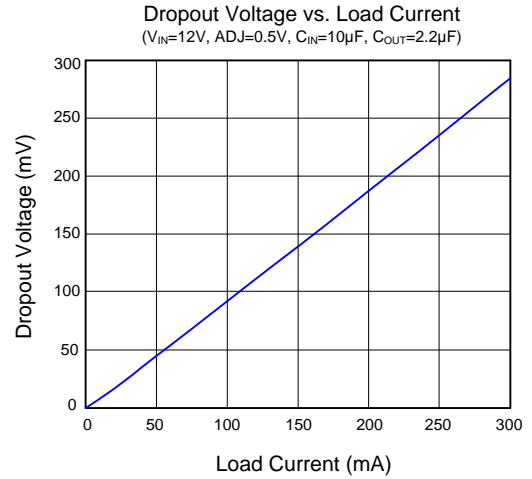
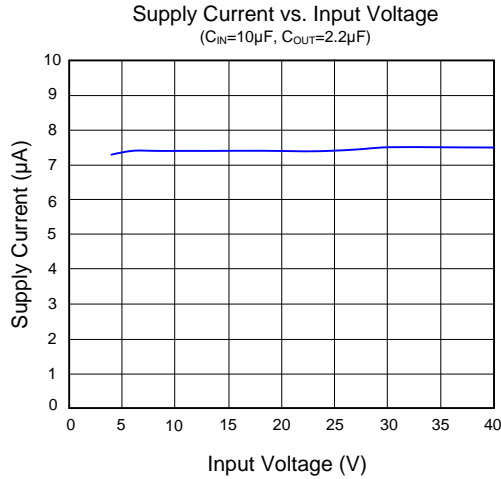
Note 2: θ_{JA} is measured in the natural convection at $T_A = 25^\circ\text{C}$ on a low effective two-layer thermal conductivity test board of JEDEC 51-3 thermal measurement standard.

Note 3: The device is not guaranteed to function outside its operating conditions.

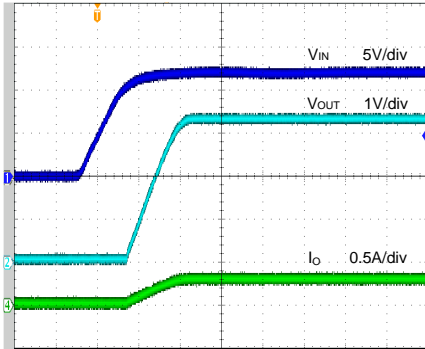
Note 4: Guaranteed by design.

Note 5: Operating lifetime is derated for junction temperatures greater than 125°C .

Typical Performance Characteristics

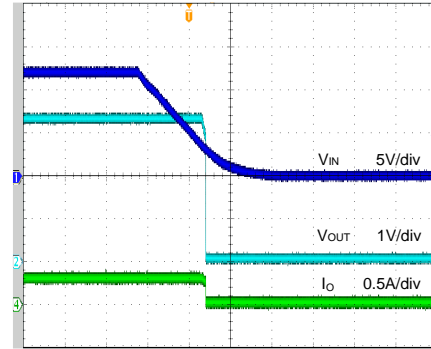


Startup from V_{IN}
 $(V_{IN}=12V, V_{OUT}=3.3V, C_{IN}=10\mu F, C_{OUT}=2.2\mu F, I_{OUT}=300mA)$



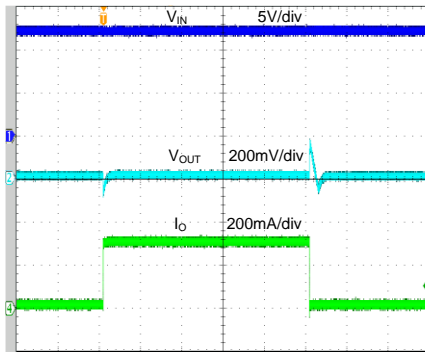
Time (800 μ s/div)

Shutdown from V_{IN}
 $(V_{IN}=12V, V_{OUT}=3.3V, C_{IN}=10\mu F, C_{OUT}=2.2\mu F, I_{OUT}=300mA)$



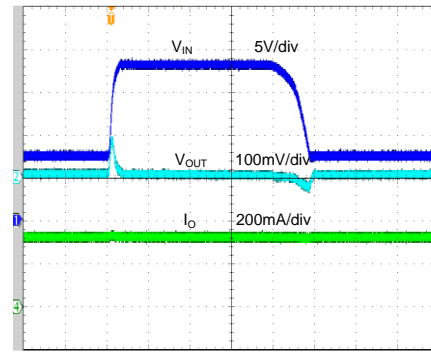
Time (10ms/div)

Load Transient
 $(V_{IN}=12V, V_{OUT}=3.3V, C_{IN}=10\mu F, C_{OUT}=2.2\mu F, I_{OUT}=10mA \sim 300mA \sim 10mA)$



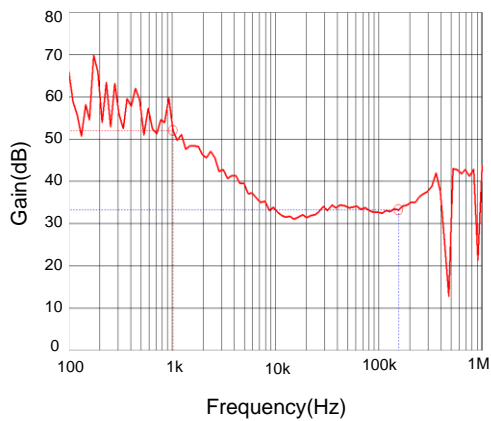
Time (200 μ s/div)

Line Transient
 $(V_{IN}=8V \sim 18V \sim 8V, V_{OUT}=5V, C_{IN}=10\mu F, C_{OUT}=2.2\mu F, I_{OUT}=300mA)$

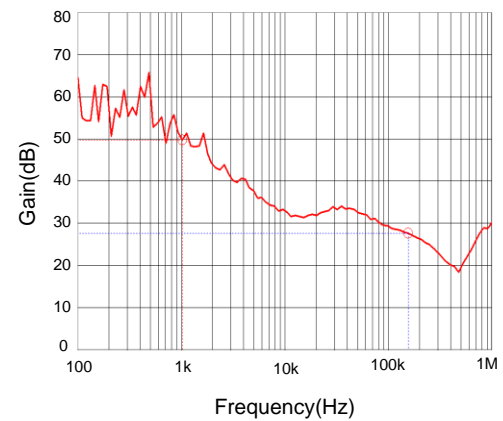


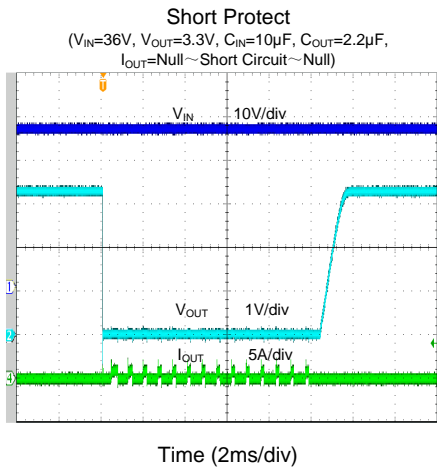
Time (400 μ s/div)

PSRR
 $(V_{IN}=12V, V_{OUT}=3.3V, C_{IN}=Null, C_{OUT}=2.2\mu F, I_{OUT}=10mA)$



PSRR
 $(V_{IN}=12V, V_{OUT}=3.3V, C_{IN}=Null, C_{OUT}=2.2\mu F, I_{OUT}=300mA)$



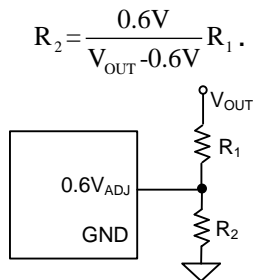


Application Information

The SY2A27357A is a 300mA linear regulator with a low dropout voltage. Like any low-dropout regulator, the SY2A27357A requires input and output decoupling capacitors. The SY2A27357A has an adjustable output which can be set by using two external resistors. The device offers protection features, including over-current limit, output short and over-temperature protections.

Feedback Resistor Dividers R_1 and R_2 :

Choose R_1 and R_2 to program the proper output voltage. To minimize the power consumption under light loads, choosing large resistance values for both R_1 and R_2 is recommended. A value of between 10k Ω and 10M Ω is highly recommended for both resistors. If V_{OUT} is 3.3V and $R_1=1.6M\Omega$ is selected, then using following equation, R_2 can be calculated to be 357k Ω :



Input Capacitor C_{IN} :

An input capacitor with a value of 10 μ F and a voltage rating 20% higher than the maximum input voltage between the device input and ground pin is recommended. A typical X5R or better ceramic capacitor is recommended for most applications. This input capacitor must be located close to the device to minimize the input noise.

Output Capacitor C_{OUT} :

The SY2A27357A is designed specifically to work with very small ceramic output capacitors for transient stability. A 2.2 μ F, low-ESR output capacitor is recommended for most applications. Larger capacitance and lower ESR improves the load transient response and PSRR.

Dropout Voltage:

The SY2A27357A has a very low dropout voltage due to its low $R_{DS(ON)}$ of the main PMOS, which determines the lowest usable supply.

$$V_{DROPOUT} = V_{IN} - V_{OUT} = R_{DS(ON)} \times I_{OUT}$$

Over Temperature Protection (OTP)

The SY2A27357A includes over-temperature protection (OTP) circuitry to prevent overheating due to excessive

power dissipation. This will turn off the device when the junction temperature exceeds 150 $^{\circ}$ C. Once the junction temperature cools down by approximately 20 $^{\circ}$ C the device will resume normal operation.

Output Short Circuit Protection

If V_{OUT} drops below 16% of the OUT set point, the short circuit protection mode will be initiated, and the device will be shut down immediately. The device will then restart with a complete soft-start cycle. If the short circuit condition remains, another 'hiccup' cycle of shutdown and restart will continue indefinitely, or until the condition disappears.

Thermal Considerations:

The SY2A27357A can deliver a current of up to 300mA over the full operating temperature range. However, the maximum output current must be derated at a higher ambient temperature. During all possible conditions, the junction temperature must be within the range specified under the operating conditions. Power dissipation can be calculated based on the output current and the voltage drop across the regulator.

$$P_D = (V_{IN} - V_{OUT}) \times I_{OUT} + V_{IN} \times I_{GND}$$

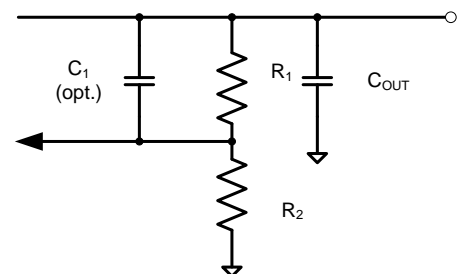
The final operating junction temperature for any set of condition can be estimated by the following thermal equation:

$$P_{D(MAX)} = (T_{J(MAX)} - T_A) / \theta_{JA}$$

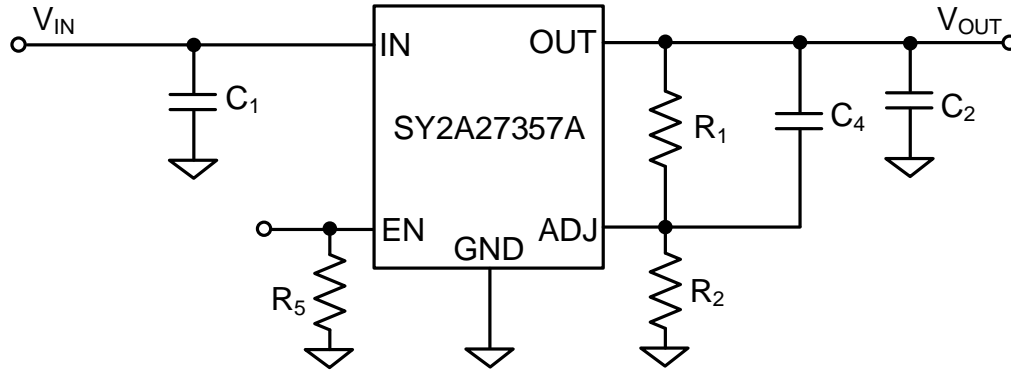
Where $T_{J(MAX)}$ is the maximum junction temperature of die and T_A is the maximum ambient temperature. The junction to ambient thermal resistance (θ_{JA}) footprint is 30 $^{\circ}$ C/W for SO8E package.

Load Transient Considerations:

The SY2A27357A integrates the compensation components to achieve good stability and fast transient responses. In some applications, adding a small ceramic cap in parallel with R_1 may further speed up the load transient responses and is thus recommended for applications with large load transient step requirements.



Application Schematic



BOM List

| Reference Designator | Description | Part Number | Manufacturer |
|----------------------|----------------------|----------------|--------------|
| C ₁ | 10μF/50V, 1206, X5R | GRM31CR61H106K | Murata |
| C ₂ | 2.2μF/25V, 1206, X5R | GRM31CR61E225K | Murata |
| C ₄ | Null | | |
| R ₁ | 1.6MΩ | | |
| R ₂ | 357kΩ | | |
| R ₅ | 1MΩ | | |

PCB Layout Guide:

For best performance of the circuit the following guidelines must be followed:

1. Keep all power traces as short and wide as possible. A 2-layer- or 4-layer board is recommended for improved thermal performance and current flow capability.
2. Place the input/output capacitors close to the device for better transient performance.
3. Connect a large copper area to the Exposed Pad to improve power dissipation.

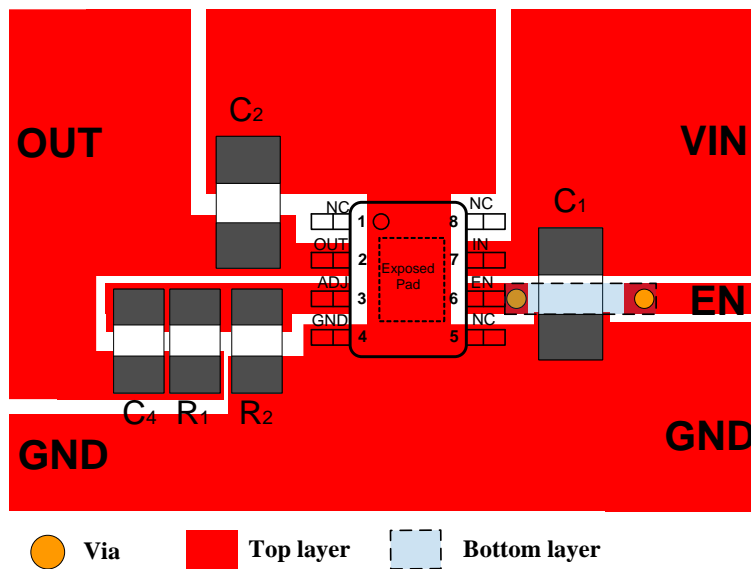
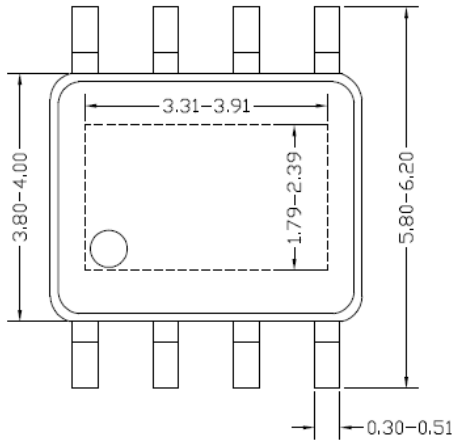
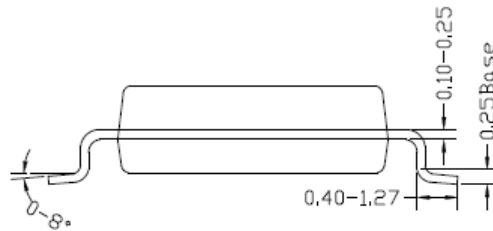


Figure 4. PCB Layout Suggestion

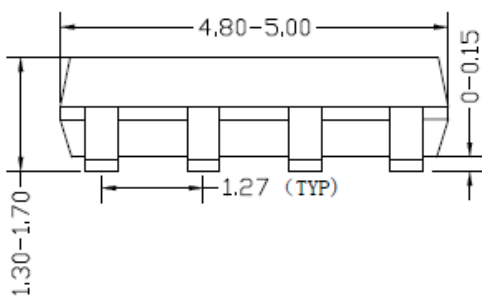
SO8E Package Outline & PCB layout



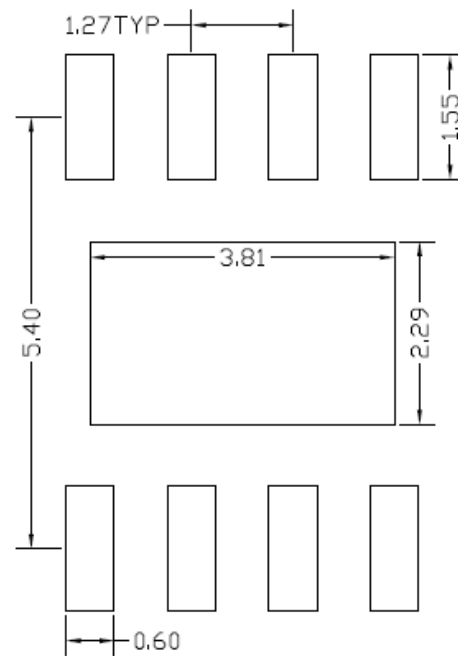
Top view



Side view



Front view

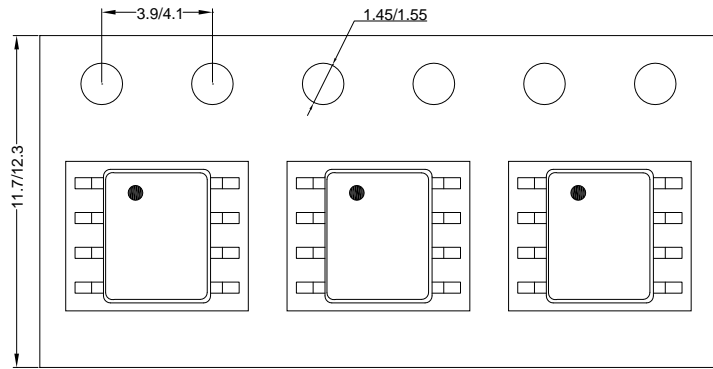


**Recommended PCB Layout
(Reference Only)**

Note: All dimensions are in millimeters and exclude mold flash and metal burr.

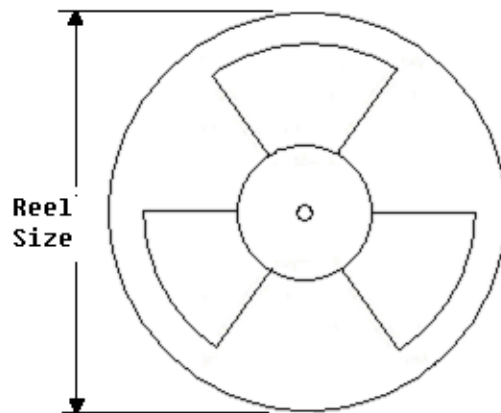
Taping & Reel Specification

1. SO8E Taping Orientation



Feeding direction →

2. Carrier Tape & Reel Specification for Packages



| Package type | Tape width (mm) | Pocket pitch(mm) | Reel size (Inch) | Trailer length(mm) | Leader length (mm) | Qty per reel |
|--------------|-----------------|------------------|------------------|--------------------|--------------------|--------------|
| SO8E | 12 | 8 | 13" | 400 | 400 | 2500 |

3. Others: NA



Revision History

The revision history provided is for informational purposes only and is believed to be accurate; however, it is not warranted. Please make sure that you have the latest revision.

| Date | Revision | Change |
|--------------|---------------|---|
| Oct.20, 2023 | Revision 1.0 | Language improvements for clarity. |
| Apr.13, 2022 | Revision 0.9B | Update the Input UVLO Threshold in EC table (page4) |
| Sep.08, 2021 | Revision 0.9A | Update the package outline drawing. |
| Nov.30, 2020 | Revision 0.9 | Initial Release |



IMPORTANT NOTICE

- 1. Right to make changes.** Silergy and its subsidiaries (hereafter Silergy) reserve the right to change any information published in this document, including but not limited to circuitry, specification and/or product design, manufacturing or descriptions, at any time and without notice. This document supersedes and replaces all information supplied prior to the publication hereof. Buyers should obtain the latest relevant information before placing orders and should verify that such information is current and complete. All semiconductor products are sold subject to Silergy's standard terms and conditions of sale.
- 2. Applications.** Application examples that are described herein for any of these products are for illustrative purposes only. Silergy makes no representation or warranty that such applications will be suitable for the specified use without further testing or modification. Buyers are responsible for the design and operation of their applications and products using Silergy products. Silergy or its subsidiaries assume no liability for any application assistance or designs of customer products. It is customer's sole responsibility to determine whether the Silergy product is suitable and fit for the customer's applications and products planned. To minimize the risks associated with customer's products and applications, customer should provide adequate design and operating safeguards. Customer represents and agrees that it has all the necessary expertise to create and implement safeguards which anticipate dangerous consequences of failures, monitor failures and their consequences, lessen the likelihood of failures that might cause harm and take appropriate remedial actions. Silergy assumes no liability related to any default, damage, costs or problem in the customer's applications or products, or the application or use by customer's third-party buyers. Customer will fully indemnify Silergy, its subsidiaries, and their representatives against any damages arising out of the use of any Silergy components in safety-critical applications. It is also buyers' sole responsibility to warrant and guarantee that any intellectual property rights of a third party are not infringed upon when integrating Silergy products into any application. Silergy assumes no responsibility for any said applications or for any use of any circuitry other than circuitry entirely embodied in a Silergy product.
- 3. Limited warranty and liability.** Information furnished by Silergy in this document is believed to be accurate and reliable. However, Silergy makes no representation or warranty, expressed or implied, as to the accuracy or completeness of such information and shall have no liability for the consequences of use of such information. In no event shall Silergy be liable for any indirect, incidental, punitive, special or consequential damages, including but not limited to lost profits, lost savings, business interruption, costs related to the removal or replacement of any products or rework charges, whether or not such damages are based on tort or negligence, warranty, breach of contract or any other legal theory. Notwithstanding any damages that customer might incur for any reason whatsoever, Silergy' aggregate and cumulative liability towards customer for the products described herein shall be limited in accordance with the Standard Terms and Conditions of Sale of Silergy.
- 4. Suitability for use.** Customer acknowledges and agrees that it is solely responsible for compliance with all legal, regulatory and safety-related requirements concerning its products, and any use of Silergy components in its applications, notwithstanding any applications-related information or support that may be provided by Silergy. Silergy products are not designed, authorized or warranted to be suitable for use in life support, life-critical or safety-critical systems or equipment, nor in applications where failure or malfunction of a Silergy product can reasonably be expected to result in personal injury, death or severe property or environmental damage. Silergy assumes no liability for inclusion and/or use of Silergy products in such equipment or applications and therefore such inclusion and/or use is at the customer's own risk.
- 5. Terms and conditions of commercial sale.** Silergy products are sold subject to the standard terms and conditions of commercial sale, as published at <http://www.silergy.com/stdterms>, unless otherwise agreed in a valid written individual agreement specifically agreed to in writing by an authorized officer of Silergy. In case an individual agreement is concluded only the terms and conditions of the respective agreement shall apply. Silergy hereby expressly objects to and denies the application of any customer's general terms and conditions with regard to the purchase of Silergy products by the customer.
- 6. No offer to sell or license.** Nothing in this document may be interpreted or construed as an offer to sell products that is open for acceptance or the grant, conveyance or implication of any license under any copyrights, patents or other industrial or intellectual property rights. Silergy makes no representation or warranty that any license, either express or implied, is granted under any patent right, copyright, mask work right, or other intellectual property right. Information published by Silergy regarding third-party products or services does not constitute a license to use such products or services or a warranty or endorsement thereof. Use of such information may require a license from a third party under the patents or other intellectual property of the third party, or a license from Silergy under the patents or other intellectual property of Silergy.

For more information, please visit: www.silergy.com

©2022 Silergy Corp.

All Rights Reserved.