

Features

- Transient protection for high-speed data lines
IEC 61000-4-2 (ESD) $\pm 20\text{kV}$ (Air)
 $\pm 20\text{kV}$ (Contact)
IEC 61000-4-5 (Surge) 12A (8/20 μs)
- For 3.3V and below operating voltage
- Ultra-small package (2.5mm*1.0mm*0.55mm)
- Protects four data lines
- Ultra Low capacitance: 0.6pF for each channel
- Low leakage current: 0.01 μA @ V_{RWM} (Typical)
- Low clamping voltage
- Each I/O pin can withstand over 1000 ESD strikes for $\pm 8\text{kV}$ contact discharge

Description

SYT36S03DVC is an ultra-low capacitance transient voltage suppressor (TVS) designed to provide electrostatic discharge (ESD) protection for high-speed data interfaces. With typical capacitance of 0.6pF only, SYT36S03DVC is designed to protect parasitic-sensitive systems against over-voltage and over-current transient events. It complies with IEC 61000-4-2 (ESD), ($\pm 20\text{kV}$ air, $\pm 20\text{kV}$ contact discharge), IEC 61000-4-5 (Surge) (12A, 8/20 μs), etc.

SYT36S03DVC uses ultra-small DFN2.5*1.0-10 package. Each SYT36S03DVC device can protect four high-speed data lines. The combined features of ultra-low capacitance, ultra-small size and high ESD robustness make SYT36S03DVC ideal for high-speed data ports and high-frequency lines (e.g., USB3.0 & DVI) applications. The low clamping voltage of the SYT36S03DVC guarantees a minimum stress on the protected IC.

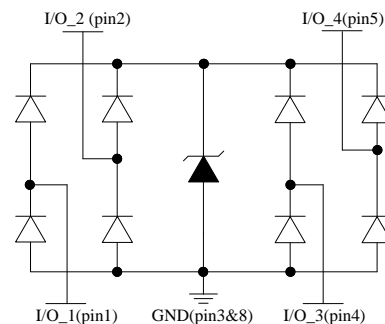
Applications

- Serial ATA
- PCI Express
- Desktops, Servers and Notebooks
- MDDI Ports
- USB2.0, 3.0 and 3.1
- Display Ports
- HDMI 1.3, 1.4 and 2.0
- Digital Visual Interfaces (DVI)

Mechanical Characteristics

- DFN2.5*1.0-10 package
- Marking: Device code, Date code
- Packaging: Tape and Reel

Circuit Diagram



Pin Configuration



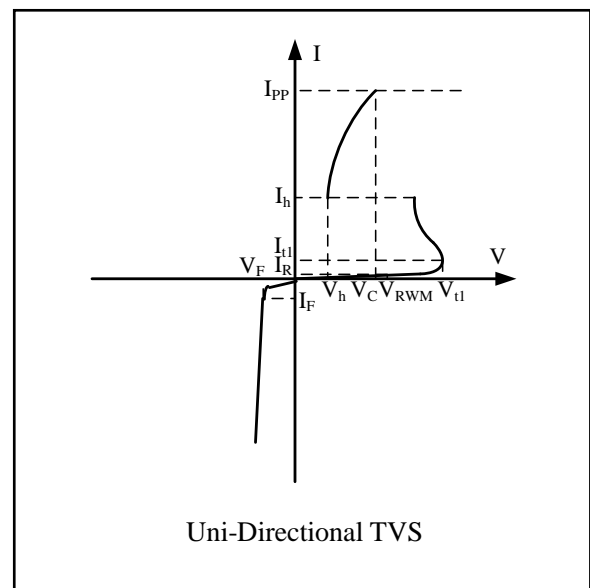
DFN2.5x1.0-10
(Top View)

Absolute Maximum Rating

Symbol	Parameter	Value	Units
I_{PP}	Maximum Peak Pulse Current (8/20 μ s)	12	A
P_{PK}	Maximum Peak Pulse Power (8/20 μ s)	60	Watts
V_{ESD}	ESD per IEC 61000-4-2 (Air) ESD per IEC 61000-4-2 (Contact)	± 20 ± 20	kV
T_{OPT}	Operating Temperature	-40/+125	$^{\circ}$ C
T_{STG}	Storage Temperature	-55/+150	$^{\circ}$ C

Electrical Characteristics ($T_A = 25^{\circ}$ C)

Symbol	Parameter
V_{RWM}	Nominal Reverse Working Voltage
I_R	Reverse Leakage Current @ V_{RWM}
V_{t1}	Reverse Triggering Voltage @ I_{t1}
I_{t1}	Test Current for Reverse Triggering
V_h	Holding Voltage
I_h	Holding Current
V_C	Clamping Voltage @ I_{PP}
I_{PP}	Peak Pulse Current
C_{ESD}	Parasitic Capacitance
f	Small Signal Frequency
V_F	Forward Voltage
I_F	Forward Current



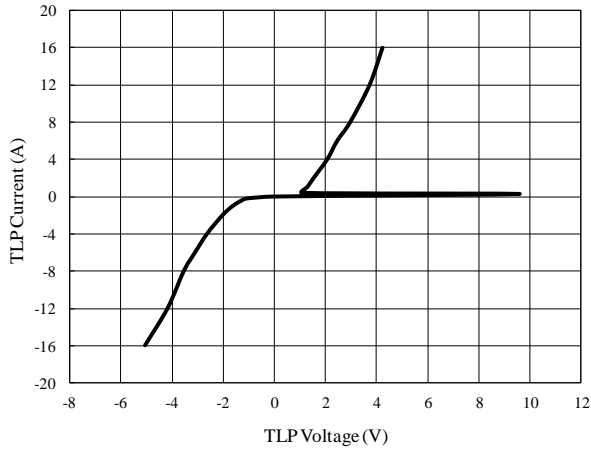
Symbol	Test Condition	Minimum	Typical	Maximum	Units
V_{RWM}				3.3	V
I_R	$V_{RWM} = 3.3V, T_A = 25^{\circ}C$		0.01	0.1	μ A
V_{t1}	$I_{t1} = 1mA$	3.6			V
V_h^{-1}	$I_h = 100mA$	0.8			V
V_C^{-1}	$I_{PP} = 12A, t_p = 8/20\mu s$		5.0		V
V_C^{-1}	$I_{PP} = 16A, t_p = 10/100ns$		4.5		V
$R_{DYN}^{1,2}$	$t_p = 10/100ns$		0.2		Ω
C_{ESD}^{-1}	$V_R = 3.3V, f = 1MHz$		0.60		pF

NOTES

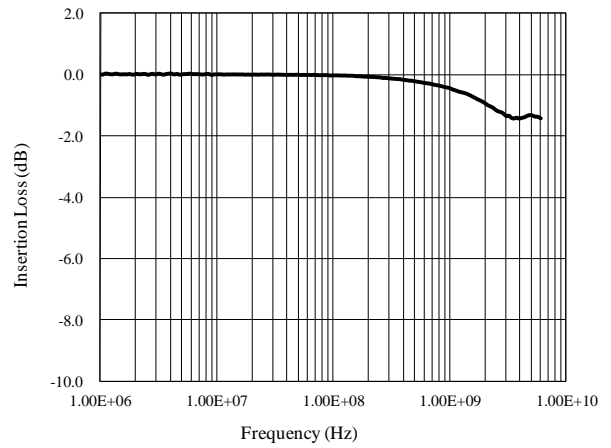
¹ Guaranteed by design and not subject to production test.

² R_{DYN} calculated based on $I_{PP}=8A$ to $I_{PP}=16A, t_p = 10/100ns$.

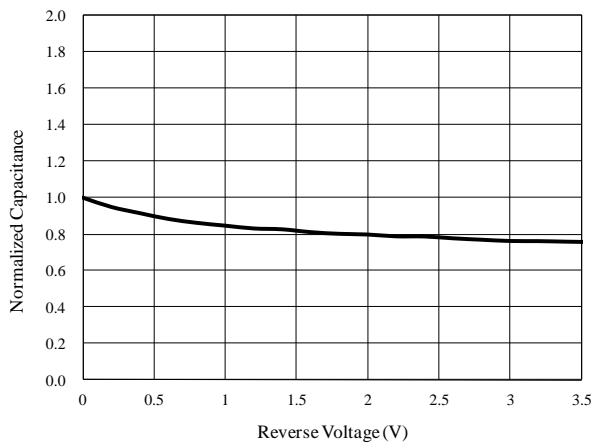
TLP Testing of I/O to GND



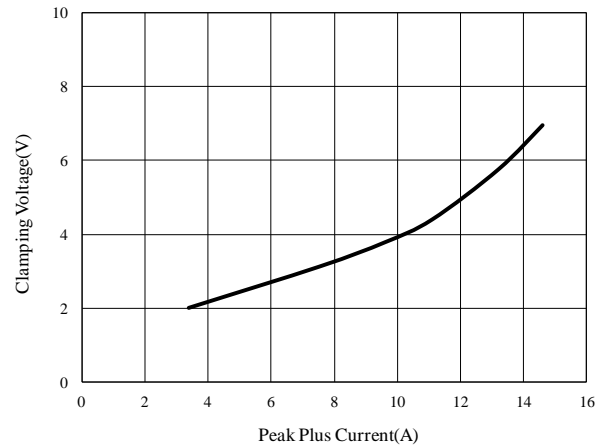
Insertion Loss S21 of I/O to GND



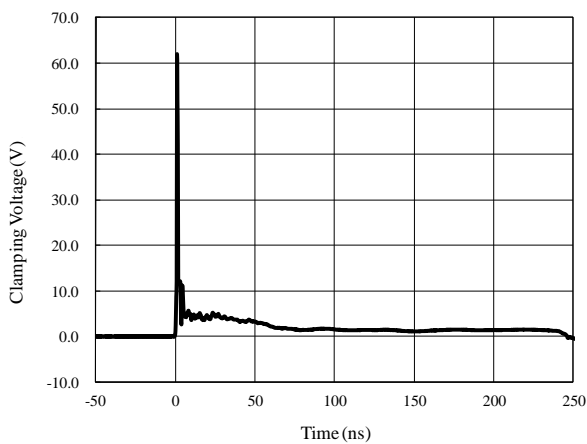
Normalized Capacitance vs. Voltage of I/O to GND



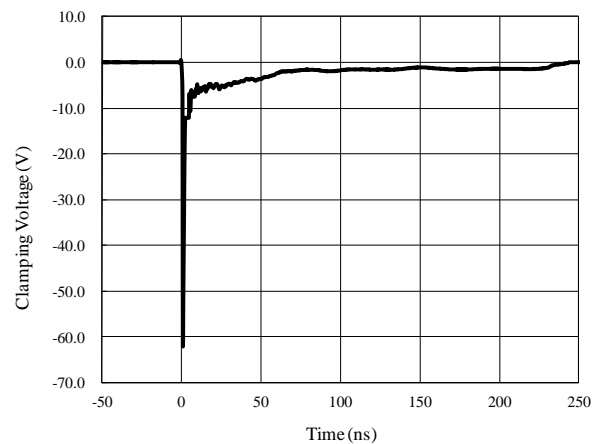
Clamping Voltage vs. Peak Pulse Current (8/20μs)



ESD Clamping of I/O to GND (+8kV Contact per IEC 61000-4-2)



ESD Clamping of I/O to GND (-8kV Contact per IEC 61000-4-2)



Application Information

Pin Connection in PCB

SYT36S03DVC provides ESD protection for four data lines simultaneously. The pin connection is shown in the figure below.

Four parallel data lines, from inner IC to I/O port connector, could connect to SYT36S03DVC four I/O pins directly. Pin 3&8 of SYT36S03DVC is the GND pin, which should connect to the GND of PCB. The wire should be as short as possible in order to minimize the parasitic inductance.

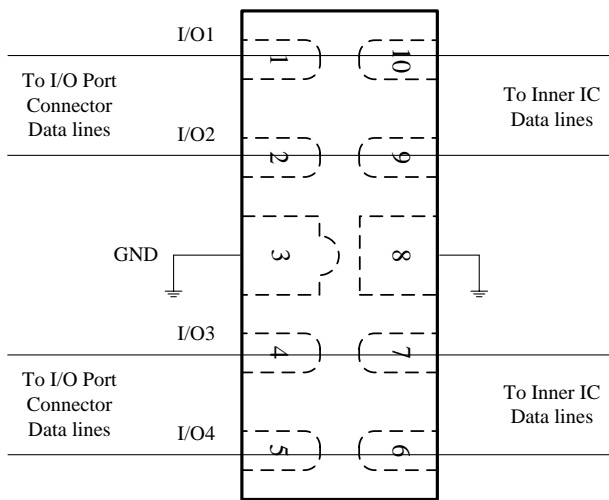


Figure 1 SYT36S03DVC pin connection in PCB

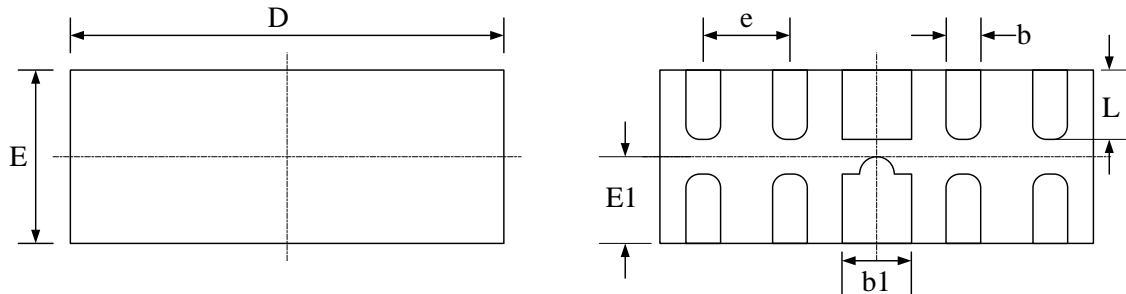
PCB Layout Guidelines

For optimum ESD protection and the whole circuit performance, the following PCB layout guidelines are recommended:

- SYT36S03DVC GND pin to the PCB GND rail path should be as short as possible. It could reduce the ESD transient return path to GND.
- The vias connecting SYT36S03DVC GND pins to the PCB GND should be wide.
- Place SYT36S03DVC as close to the connector port as possible. It could reduce the parasitic inductance and restrict ESD coupling into adjacent traces.
- Avoid running critical signals near board edges.

Package Outline

- DFN2.5*1.0-10



TOP VIEW

BOTTOM VIEW

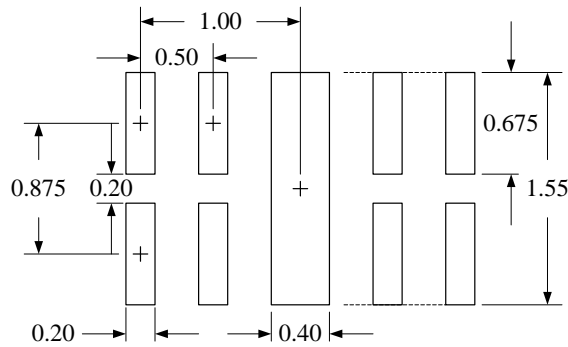
Side VIEW

Package Dimensions (Controlling dimensions are in millimeters)

Symbol	Dimensions (mm)	
	Minimum	Maximum
A	0.500	0.600
A1	0.000	0.050
A3	0.150REF.	
b	0.150	0.250
b1	0.350	0.450
E1	0.460	0.560
D	2.450	2.550
E	0.950	1.050
e	0.500 BSC	
L	0.330	0.430

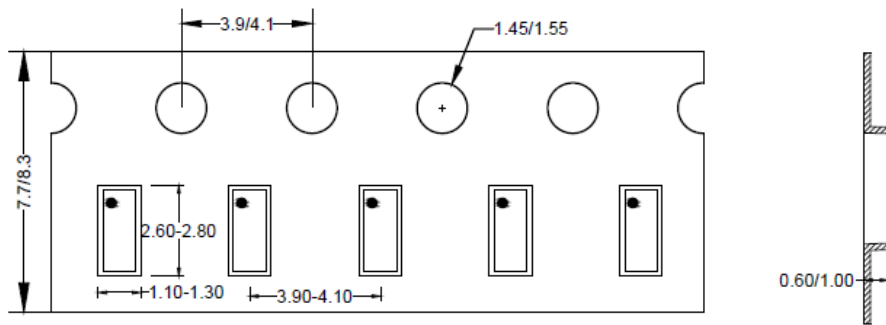
Notes: All dimension in millimeter and exclude mold flash & metal burr.

PCB Layout Pattern



Notes: All dimension in millimeter

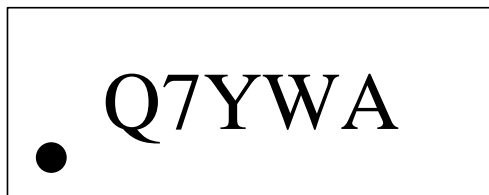
Tape and Reel Specification



Feeding direction →

Package types	Tape width (mm)	Pocket pitch(mm)	Reel size (Inch)	Qty per reel (pcs)
DFN2.5*1.0-10	8	4	7"	3000

Marking Codes



Note:

- (1) "Q7" is device code, fixed.
- (2) "YWA" is date code.

Ordering Information

Part Number	Working Voltage	Quantity Per Reel	Reel Size
SYT36S03DVC	3.3V	3,000	7 Inch



IMPORTANT NOTICE

- 1. Right to make changes.** Silergy and its subsidiaries (hereafter Silergy) reserve the right to change any information published in this document, including but not limited to circuitry, specification and/or product design, manufacturing or descriptions, at any time and without notice. This document supersedes and replaces all information supplied prior to the publication hereof. Buyers should obtain the latest relevant information before placing orders and should verify that such information is current and complete. All semiconductor products are sold subject to Silergy's standard terms and conditions of sale.
- 2. Applications.** Application examples that are described herein for any of these products are for illustrative purposes only. Silergy makes no representation or warranty that such applications will be suitable for the specified use without further testing or modification. Buyers are responsible for the design and operation of their applications and products using Silergy products. Silergy or its subsidiaries assume no liability for any application assistance or designs of customer products. It is customer's sole responsibility to determine whether the Silergy product is suitable and fit for the customer's applications and products planned. To minimize the risks associated with customer's products and applications, customer should provide adequate design and operating safeguards. Customer represents and agrees that it has all the necessary expertise to create and implement safeguards which anticipate dangerous consequences of failures, monitor failures and their consequences, lessen the likelihood of failures that might cause harm and take appropriate remedial actions. Silergy assumes no liability related to any default, damage, costs or problem in the customer's applications or products, or the application or use by customer's third-party buyers. Customer will fully indemnify Silergy, its subsidiaries, and their representatives against any damages arising out of the use of any Silergy components in safety-critical applications. It is also buyers' sole responsibility to warrant and guarantee that any intellectual property rights of a third party are not infringed upon when integrating Silergy products into any application. Silergy assumes no responsibility for any said applications or for any use of any circuitry other than circuitry entirely embodied in a Silergy product.
- 3. Limited warranty and liability.** Information furnished by Silergy in this document is believed to be accurate and reliable. However, Silergy makes no representation or warranty, expressed or implied, as to the accuracy or completeness of such information and shall have no liability for the consequences of use of such information. In no event shall Silergy be liable for any indirect, incidental, punitive, special or consequential damages, including but not limited to lost profits, lost savings, business interruption, costs related to the removal or replacement of any products or rework charges, whether or not such damages are based on tort or negligence, warranty, breach of contract or any other legal theory. Notwithstanding any damages that customer might incur for any reason whatsoever, Silergy' aggregate and cumulative liability towards customer for the products described herein shall be limited in accordance with the Standard Terms and Conditions of Sale of Silergy.
- 4. Suitability for use.** Customer acknowledges and agrees that it is solely responsible for compliance with all legal, regulatory and safety-related requirements concerning its products, and any use of Silergy components in its applications, notwithstanding any applications-related information or support that may be provided by Silergy. Silergy products are not designed, authorized or warranted to be suitable for use in life support, life-critical or safety-critical systems or equipment, nor in applications where failure or malfunction of an Silergy product can reasonably be expected to result in personal injury, death or severe property or environmental damage. Silergy assumes no liability for inclusion and/or use of Silergy products in such equipment or applications and therefore such inclusion and/or use is at the customer's own risk.
- 5. Terms and conditions of commercial sale.** Silergy products are sold subject to the standard terms and conditions of commercial sale, as published at <http://www.silergy.com/stdterms>, unless otherwise agreed in a valid written individual agreement specifically agreed to in writing by an authorized officer of Silergy. In case an individual agreement is concluded only the terms and conditions of the respective agreement shall apply. Silergy hereby expressly objects to and denies the application of any customer's general terms and conditions with regard to the purchase of Silergy products by the customer.
- 6. No offer to sell or license.** Nothing in this document may be interpreted or construed as an offer to sell products that is open for acceptance or the grant, conveyance or implication of any license under any copyrights, patents or other industrial or intellectual property rights. Silergy makes no representation or warranty that any license, either express or implied, is granted under any patent right, copyright, mask work right, or other intellectual property right. Information published by Silergy regarding third-party products or services does not constitute a license to use such products or services or a warranty or endorsement thereof. Use of such information may require a license from a third party under the patents or other intellectual property of the third party, or a license from Silergy under the patents or other intellectual property of Silergy.

For more information, please visit: www.silergy.com

© 2020 Silergy Corp.

All Rights Reserved.