



**SILERGY**

# SYS14L02DHC

## Low Capacitance ESD/Surge Protection for Gigabit Ethernet Interfaces

### General Description

SYS14L02DHC is a low-capacitance Transient Voltage Suppressor (TVS) array designed to provide electrostatic discharge (ESD) protection for high-speed data interfaces. With typical capacitance of 3.0pF only, SYS14L02DHC is designed to protect parasitic-sensitive systems against over-voltage and over-current transient events. It complies with IEC 61000-4-2 (ESD) ( $\pm 30\text{kV}$  air,  $\pm 30\text{kV}$  contact discharge), IEC 61000-4-4 (electrical fast transient - EFT) (40A, 5/50 ns), IEC 61000-4-5 (Surge) (40A, 8/20 $\mu\text{s}$ ), very fast charged device model (CDM) ESD and cable discharge event (CDE), etc.

SYS14L02DHC is in a DFN3.0 $\times$ 2.0-10L package. Each SYS14L02DHC device can protect two high-speed line pairs. The “flow-thru” design minimizes trace inductance and reduces voltage overshoot associated with ESD events. The combined features of low capacitance and high ESD robustness make SYS14L02DHC ideal for high-speed data port and high-frequency line (e.g., Gigabit Ethernet Ports) applications. The low clamping voltage of the SYS14L02DHC guarantees a minimum stress on the protected IC.

### Ordering Information

Part Number	Working Voltage	Quantity Per Reel	Reel Size
SYS14L02DHC	2.5V	3,000	7 Inch

### Features

- Transient protection for high-speed data lines
  - ◆ IEC 61000-4-2 (ESD)  $\pm 30\text{kV}$  (Air)  $\pm 30\text{kV}$  (Contact)
  - ◆ IEC 61000-4-4 (EFT) 40A (5/50 ns)
  - ◆ IEC 61000-4-5 (Surge) 40A (8/20 $\mu\text{s}$ )
- Package optimized for high-speed lines
- Provides protection for two line pairs
- Low capacitance: 3.0pF @ 0V (Typical)
- Low leakage current: 0.1 $\mu\text{A}$  @  $V_{\text{RWM}}$  (Typical)
- Low operating and clamping voltage
- Each I/O pin can withstand over 1000 ESD strikes for  $\pm 8\text{kV}$  contact discharge

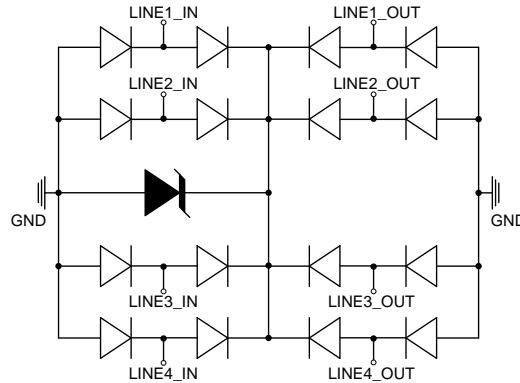
### Mechanical Characteristics

- DFN3.0 $\times$ 2.0-10L package
- Flammability Rating: UL 94V-0
- Marking: Part number, Date
- Packaging: Tape and Reel

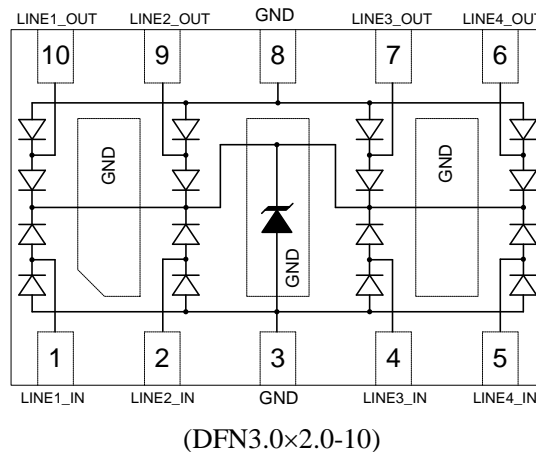
### Applications

- 10/100/1000M Ethernet Ports
- WAN/LAN Equipment
- Desktops, Servers and Notebooks
- Cellular Phones
- Switching Systems
- Audio/Video Inputs

## Circuit Diagram



## Pin Configuration (Top View)



## Absolute Maximum Rating

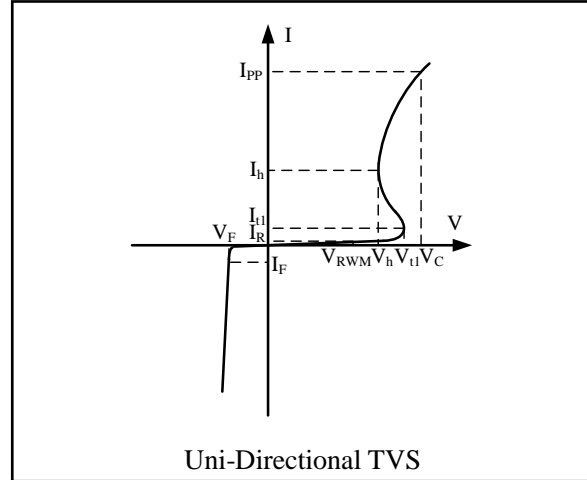
Symbol	Parameter	Value	Units
$I_{PP}$	Peak Pulse Current (8/20 $\mu$ s) <sup>1</sup>	40	A
$P_{PK}$	Peak Pulse Power (8/20 $\mu$ s) <sup>1</sup>	1000	Watts
$V_{ESD}$	ESD per IEC 61000-4-2 (Air) ESD per IEC 61000-4-2 (Contact)	$\pm 30$ $\pm 30$	kV
$T_{OPT}$	Operating Temperature	-55 to +125	$^{\circ}$ C
$T_{STG}$	Storage Temperature	-55 to +150	$^{\circ}$ C

Notes:

- 1) Ratings with 2 pins connected together per the recommended configuration (ie pin 1 connected to pin 10, pin 2 connected to pin 9, pin 4 connected to pin 7, and pin 5 connected to pin 6).

## Electrical Characteristics (T = 25°C)

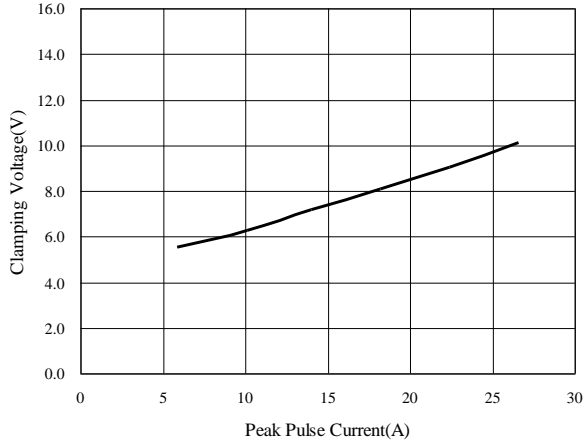
Symbol	Parameter
$V_{RWM}$	Nominal Reverse Working Voltage
$I_R$	Reverse Leakage Current @ $V_{RWM}$
$V_{t1}$	Trigger Voltage
$I_{t1}$	Trigger Current @ $V_{t1}$
$V_h$	Holding Voltage
$I_h$	Holding Current @ $V_h$
$V_C$	Clamping Voltage @ $I_{PP}$
$I_{PP}$	Maximum Peak Pulse Current
$C_{ESD}$	Parasitic Capacitance



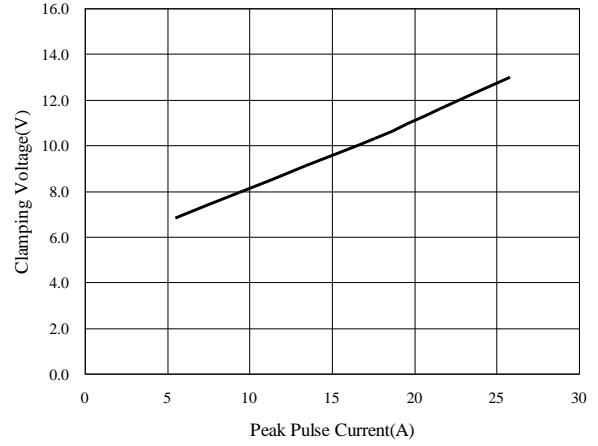
Symbol	Test Condition	Minimum	Typical	Maximum	Units
$V_{RWM}$				2.5	V
$I_R$	$V_{RWM} = 2.5V, T = 25^\circ C$		0.1	1.0	$\mu A$
$V_{t1}$	$I_{t1} = 1\mu A$	3.0	3.7	4.5	V
$V_h$	$I_h = 1mA$	3.0		4.0	V
$V_C$	Any I/O to Ground $I_{PP} = 1A, t_p = 8/20\mu s$			4.5	V
$V_C$	Any I/O to Ground $I_{PP} = 10A, t_p = 8/20\mu s$			7.5	V
$V_C$	Any I/O to Ground $I_{PP} = 25A, t_p = 8/20\mu s$			12.0	V
$V_C$	Line-to-Line / Line-to-GND, two I/O Pins connected together on each line $I_{PP} = 40A, t_p = 8/20\mu s$			20.0	V
$C_{ESD}$	Between I/O Pins and Ground $V_R = 0V, f = 1MHz$		3.0	4.0	pF
$C_{ESD}$	Between I/O Pins $V_R = 0V, f = 1MHz$		1.5	2.0	pF

## Typical Performance Characteristics

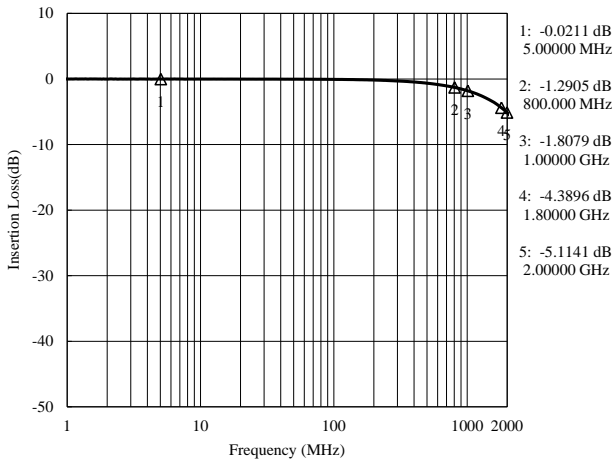
**Clamping Voltage  $V_C$  vs. Current  $I_{PP}$**   
Any I/O to GND



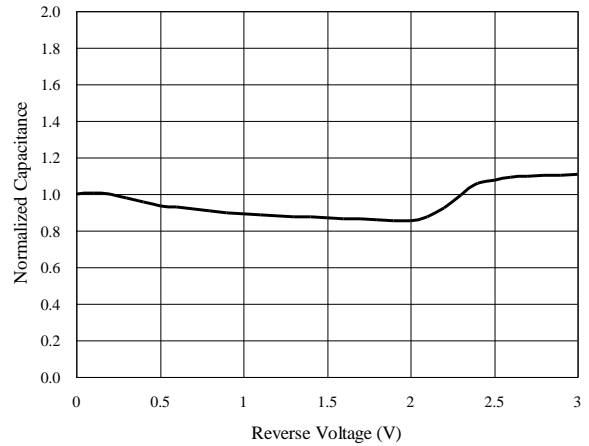
**Clamping Voltage  $V_C$  vs. Current  $I_{PP}$**   
Line-to-Line, Two I/O Pins Connected Together



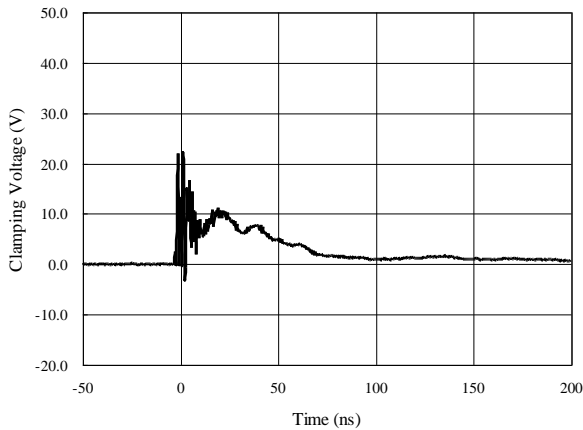
**Insertion Loss S21 (I/O to GND)**



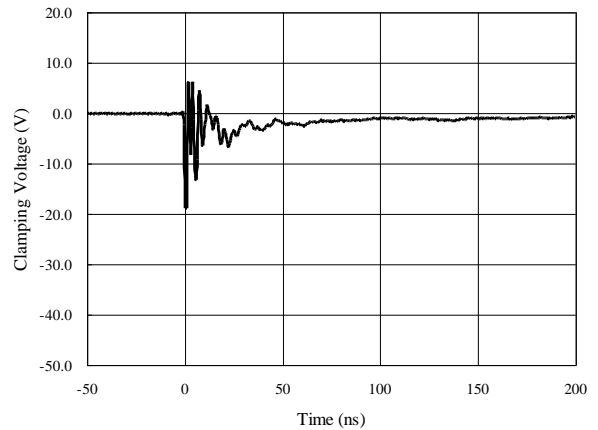
**Normalized Capacitance vs. Voltage**



**ESD Clamping of I/O to GND**  
(+8kV Contact per IEC 61000-4-2)



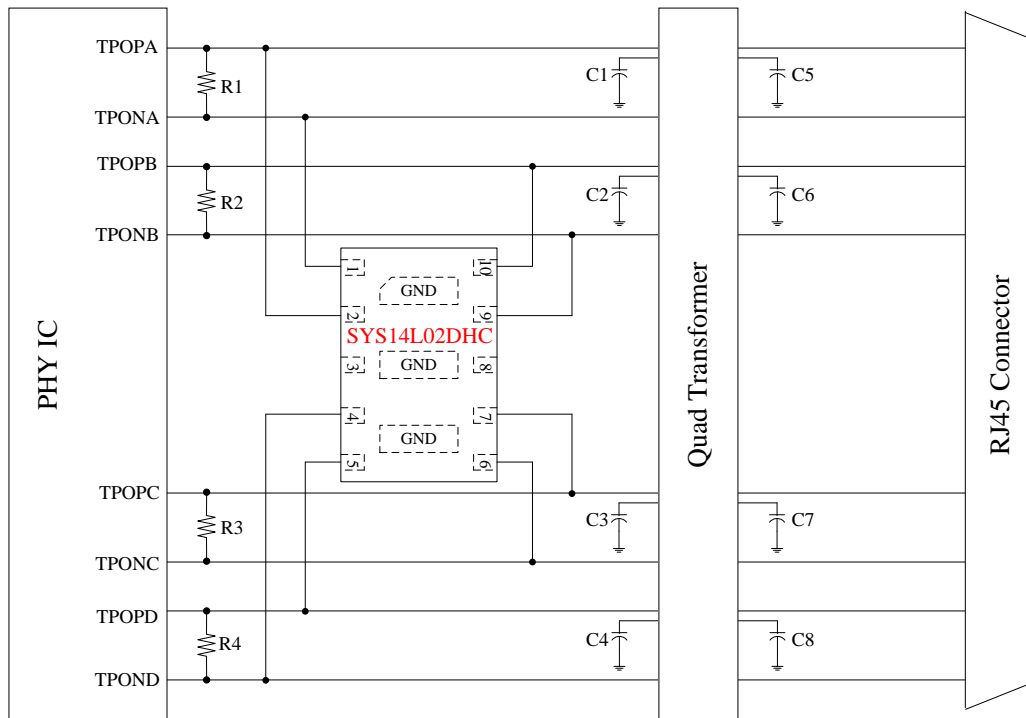
**ESD Clamping of I/O to GND**  
(-8kV Contact per IEC 61000-4-2)



## Application Information

Electronic equipment is susceptible to damage caused by a variety of sources, including Electrostatic Discharge (ESD), Electrical Fast Transients (EFT) and Lightning strikes. The SYS14L02DHC was designed to protect the sensitive equipment from damage which may be induced by such transient events. This product can be configured in different connections to meet the requirement of common-mode and differential-mode as follows:

## Gigabit Ethernet Protection

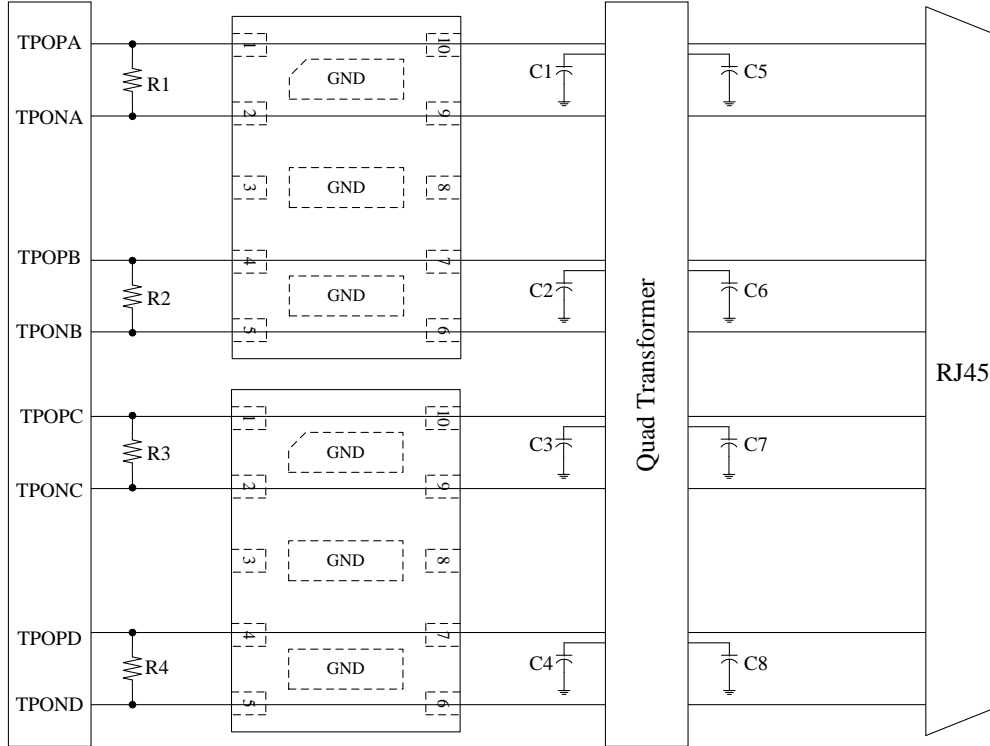


Schematic Diagram for Gigabit Ethernet ESD/ Surge Protection using SYS14L02DHC

**NOTE:**

Please connect pin3, Pin8 and all GND Tabs of SYS14L02DHC to the ground plane of the systems.

## Gigabit Ethernet Protection (Cont.)



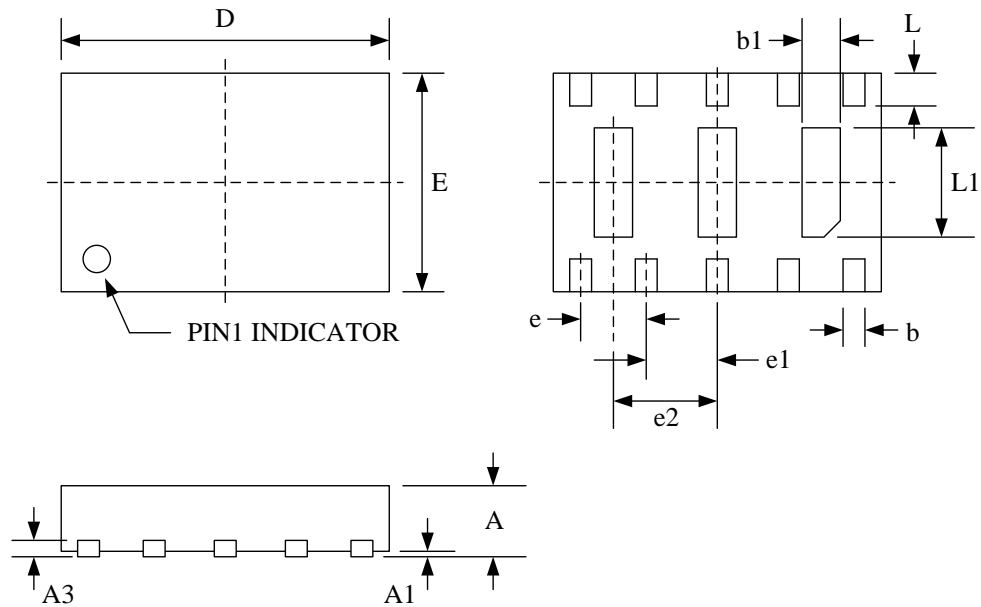
Schematic Diagram for Gigabit Ethernet ESD/ Surge Protection using SYS14L02DHC

**NOTE:**

Please connect pin3, Pin8 and all GND Tabs of SYS14L02DHC to the ground plane of the systems.

## Package Outline

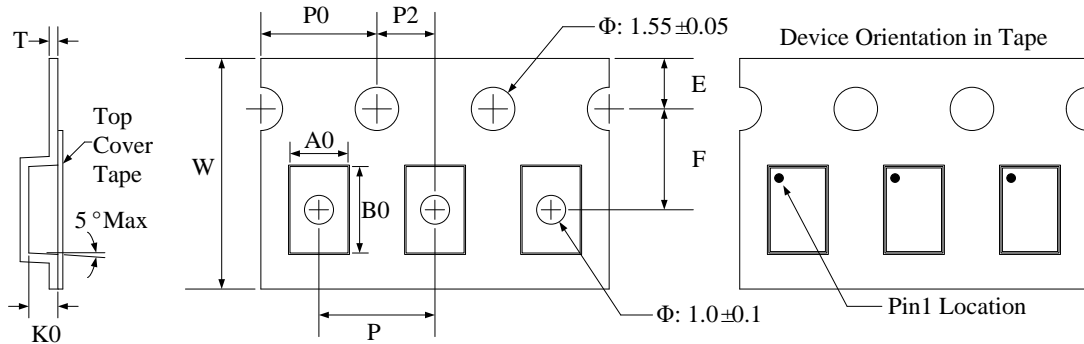
- DFN3.0x2.0-10L package



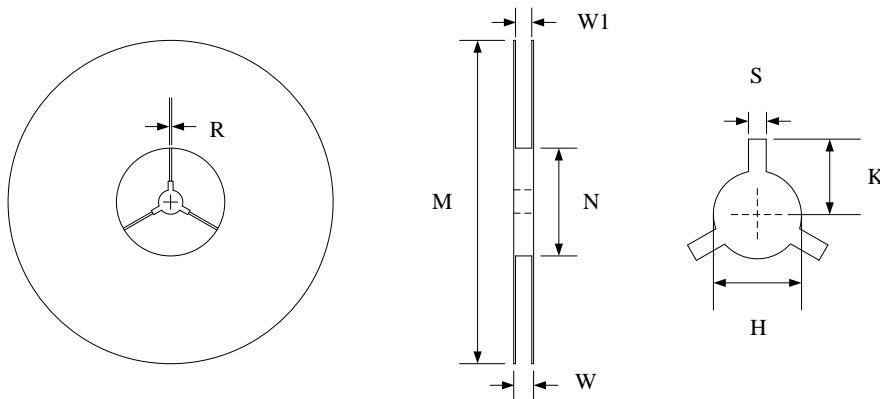
Package Dimensions (Controlling dimensions are in millimeters)

Symbol	Dimensions (mm)			Dimensions (Inches)		
	Minimum	Typical	Maximum	Minimum	Typical	Maximum
A	0.500	0.600	0.650	0.020	0.024	0.026
A1	0.000	0.030	0.050	0.000	0.001	0.002
A3	0.15 REF			0.006 REF		
b	0.150	0.200	0.250	0.006	0.008	0.010
b1	0.250	0.350	0.450	0.010	0.014	0.018
D	2.900	3.000	3.100	0.114	0.118	0.122
E	1.900	2.000	2.100	0.075	0.079	0.083
e	0.600 BSC			0.024 BSC		
e1	0.650 BSC			0.026 BSC		
e2	0.950 BSC			0.037		
L	0.250	0.300	0.350	0.010	0.012	0.014
L1	0.950	1.000	1.050	0.037	0.039	0.041

## Tape and Reel Specification

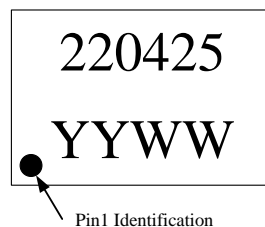


Symbol	W	A0	B0	K0	E	F	P	P0	P2	T
Dimensions (mm)	8.00+0.3 -0.1	2.3±0.1	3.2±0.1	1.0±0.1	1.75±0.1	3.5±0.05	4.0±0.1	4.0±0.1	2.0±0.1	0.3±0.05



Symbol	Reel Size	M	N	W	W1	H	S	K	R
Dimensions (mm)	Φ178	178.0±1.0	60.0±1.0	11.5±0.5	9.0±0.5	13.0±0.5	2.0±0.1	11.0±0.2	1.0±0.05

## Marking Codes

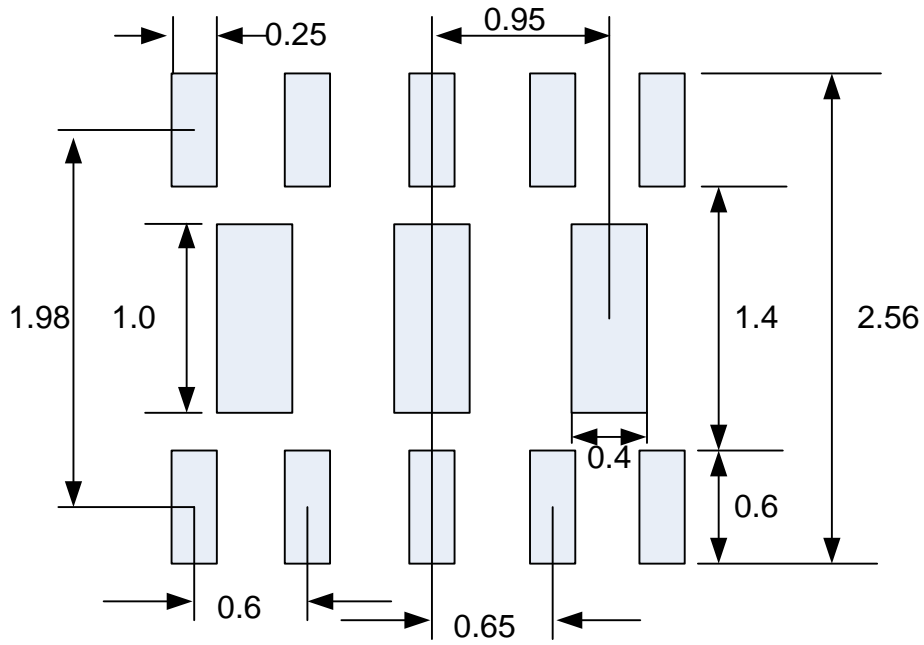


### Note:

- (1) "220425" is the part number, fixed.
- (2) "YYWW" is date code. "YY" is year (2012 is "12"); while "WW" is the assembly week in a year.



## Suggested PCB Layout



SYS14L02DHC