

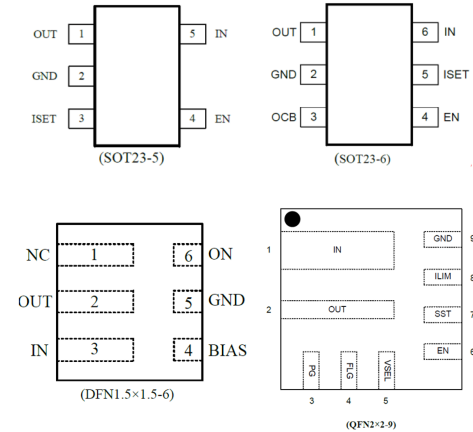
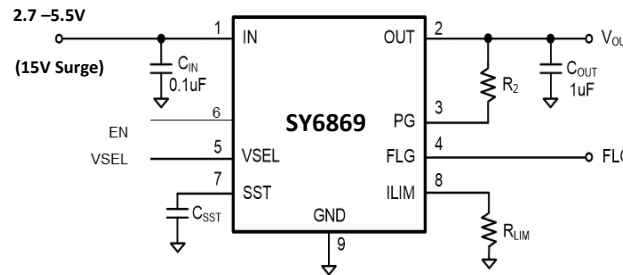


# 3.3V & 5V 1A-5A Power Distribution Protection Switches

With Extremely LOW RDS(on) MOSFET

## Typical Features

- INPUT VOLTAGE : 2.4V to 5.5V & 0.6V to 3.6V
- ENABLE: HIGH or LOW options
- CURRENT LIMIT: FIXED or Resistor settable
- Low RDS(on) MOSFET with reverse blocking
- Configurable Soft-Start and Voltage Clamping
- OUTPUTS: PG, Fault Flag, Current Indication
- PROTECTION: OCP, OVP, OTP
- Compact packages



**OVER 60 varieties of device (up to 60V operation available)**

| Part Number              | Package      | EN | OCP | OVP | OTP | Ch | Vin (V) | Vout (V) | Iout (A) | Fixed/Adjustable current limit | Switch (mΩ) | Fault Flag | Features                             |
|--------------------------|--------------|----|-----|-----|-----|----|---------|----------|----------|--------------------------------|-------------|------------|--------------------------------------|
| <a href="#">SY6280/A</a> | SOT23-5      | H  | Y   | N   | Y   | 1  | 2.4-5.5 | 2.4-5.5  | 2        | Adjustable                     | 63          | N          | Reverse Blocking<br>A=Auto discharge |
| <a href="#">SY6288F3</a> | SOT23-6      | H  | Y   | N   | Y   | 1  | 2.5-5.5 | 2.5-5.5  | 3        | Adjustable                     | 45          | Y          | Reverse Blocking                     |
| <a href="#">SY6821A</a>  | DFN1.5x1.5-6 | H  | Y   | N   | Y   | 1  | 0.6-3.6 | 0.6-3.6  | 4        | Fixed                          | 16          | N          | Reverse Blocking<br>A=Auto discharge |
| <a href="#">SY6869</a>   | DFN2x2-9     | H  | Y   | Y   | Y   | 1  | 2.7-5.5 | 2.7-5.5  | 5        | Adjustable                     | 30          | Y          | Reverse Blocking<br>15V Surge        |

*Low Loss - Reverse Blocking - Robust Performance - Small footprint  
Silergy's Power Distribution Protection Switches simplify the Art of Protection*