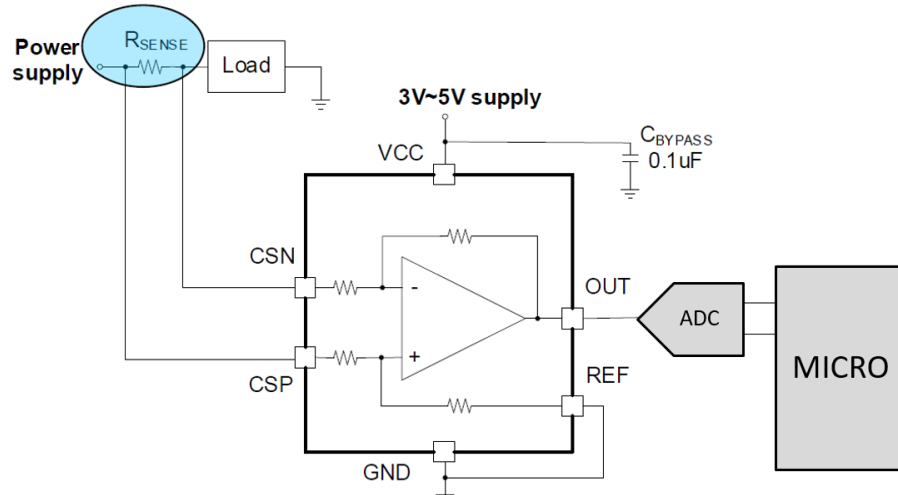




# 26V CURRENT SENSE AMPLIFIERS

*Bi-directional monitoring of Low/High-Side Shunts*



A range of Bi-Directional Current Sense Amplifiers for Precise Current Shunt Monitoring located either Low-side or High-side, with Low Quiescent Current (110uA[max]), in compact SOT363(SC70) packages.

*For automotive applications the SA59102 is AECQ-100 certified.*

FEATURE	SQ52101	SY6052	SQ52102	SA59102
Supply Voltage (V)	3.0 ~ 5.0	3.0 ~ 5.0	3.0 ~ 5.0	3.0 ~ 5.0
CM Voltage (V)	-0.1 ~ 26	-0.1 ~ 26	-0.1 ~ 26	-0.1 ~ 26
GAIN (V/V)	50	100	100	100
GAIN Error (%)	+/- 0.05	+/- 0.05	+/- 0.05	+/- 0.02
GAIN Drift (ppm/°C)	10	10	10	3
Vos (uV)	10	10	10	1
Vos Drift (uV/°C)	0.5	0.5	0.5	0.5
GBW (KHz)	60	28	28	28
TEMP Range (°C)	-40 ~ +85	-40 ~ +85	-40 ~ +125	-40 ~ +125

*Bi-directional - Low Offset - Precise Performance*

*Silergy's Current Sense Amps simplify the Art of Analog Sensing*